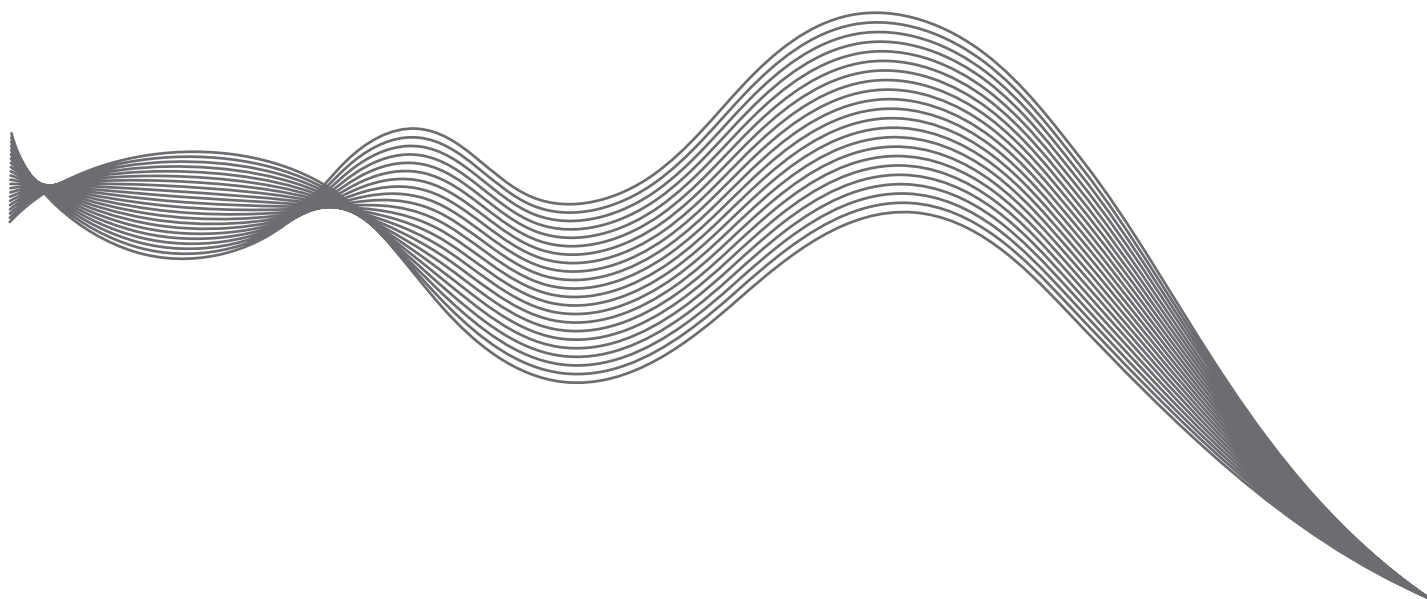


edesa



www.edesa.com



- EN** INSTRUCTION MANUAL
- PT** MANUAL DE INSTRUÇÕES
- FR** MANUEL D'INSTRUCTIONS
- ES** MANUAL DE INSTRUCCIONES

DESCRIPTION DESCRIÇÃO DESCRIPTION DESCRIPCIÓN	CODE REFERÊNCIA RÉFÉRENCE REFERENCIA
EZH-0611	928271174
EZH-0911	928271175
EZH-2014 /A	928271186
EZH-2811 /A	928271185
EZH-3511 /A	928271183
EZH-5011 /A	928271347

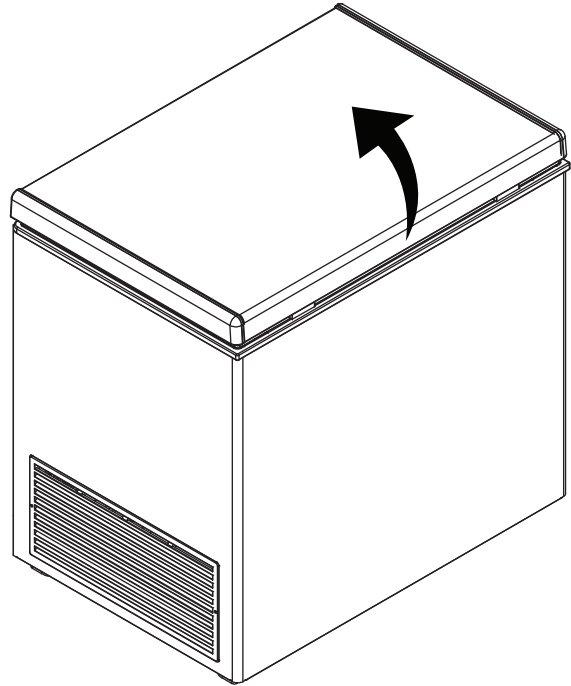
1°

Before starting the equipment:
Open the door

Antes de ligar o equipamento:
Abra a tampa.

Avant d'allumer l'équipement:
ouvrez la porte.

Antes de encender el equipo:
abre la puerta.

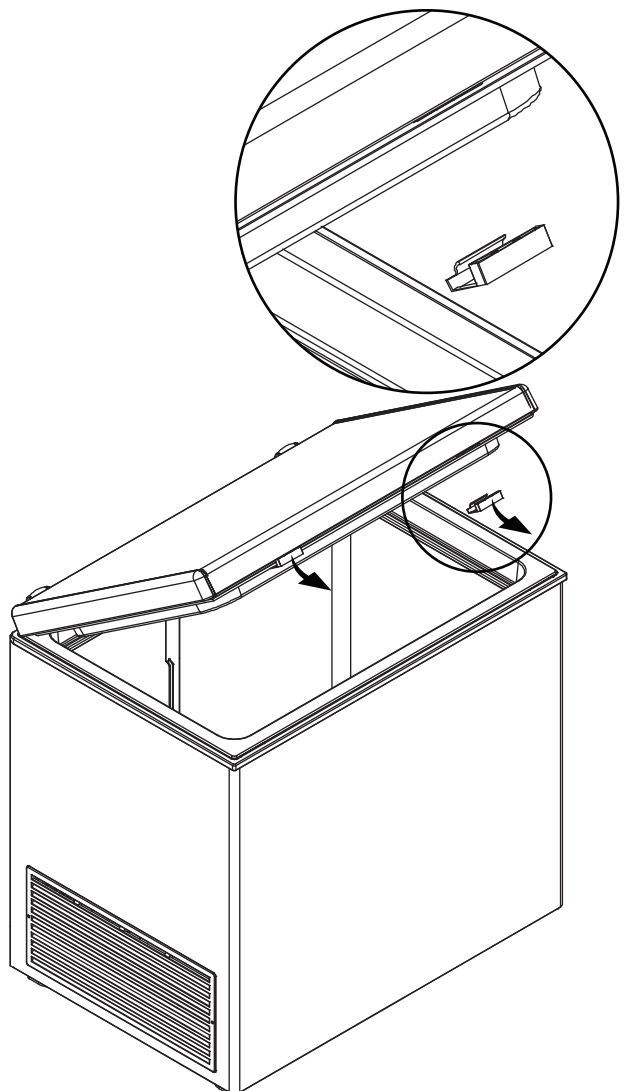
**2°**

Remove all seal protections
as shown

Remova todas as proteções de vedante
como demonstrado

Retirez toutes les protections d'étanchéité
comme indiqué

Retire todas las protecciones
del sello como se muestra



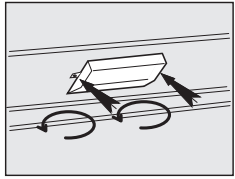


FIG. 3

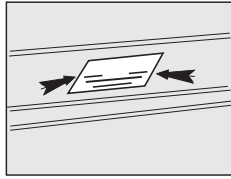


FIG. 4

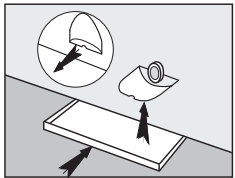
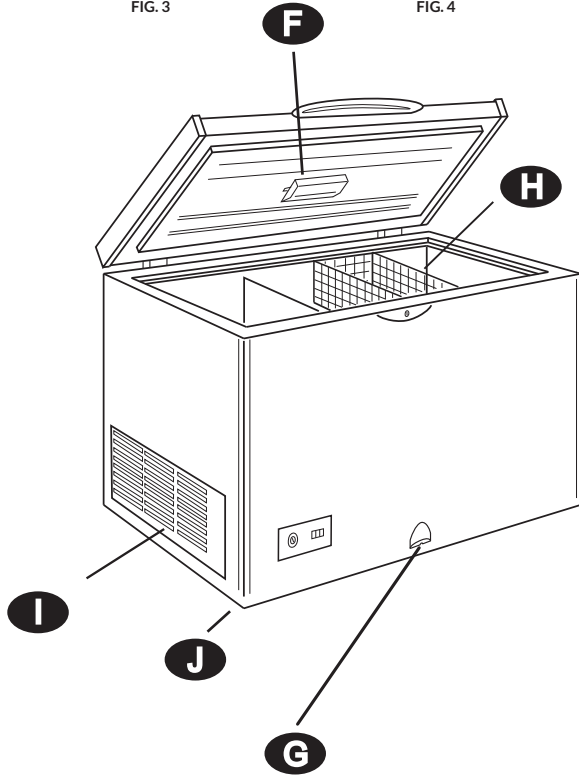
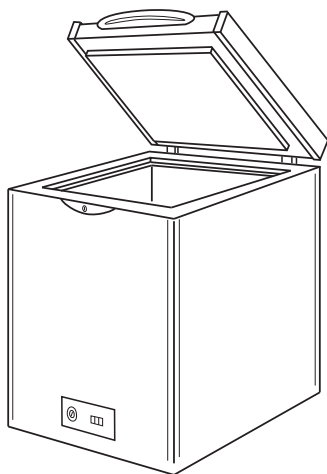
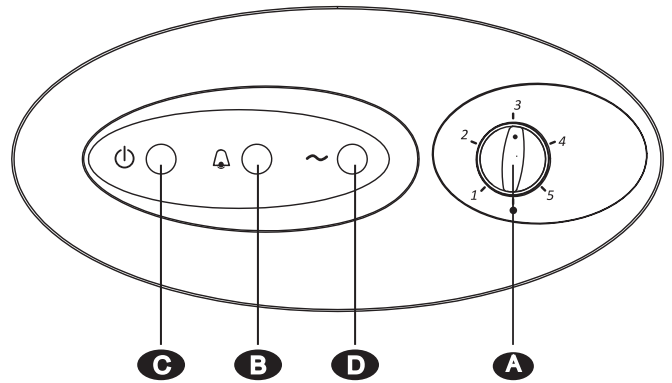


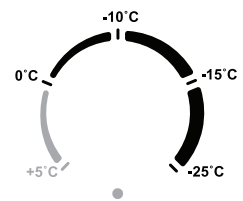
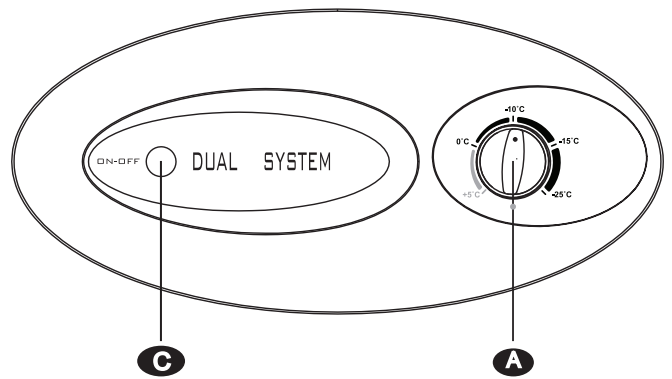
FIG. 1



PAINEL DE CONTROL
CONTROL PANEL
PANNEAU DE CONTRÔLE
PANEL DE CONTROL



PAINEL DE CONTROL "DUAL SYSTEM"
CONTROL PANEL "DUAL SYSTEM"
PANNEAU DE CONTRÔLE "DUAL SYSTEM"
PANEL DE CONTROL "DUAL SYSTEM"



SOMMAIRE

SAFETY	4	ENERGY SAVING	7
INSTALLATION	5	MAINTAINING THE APPLIANCE	7
THE APPLIANCE	5	TROUBLESHOOTING	7
SETTING UP THE APPLIANCE	6	CUSTOMER SERVICE	8
EFFICIENT USAGE OF THE APPLIANCE	6	TECHNICAL DATA	8

SAFETY

ATTENTION

Read your manual carefully since it contains instructions which will ensure safe installation, use and maintenance of your appliance.

Your appliance is built to International safety standards (2014/35/EU).

It also meets the EC standards on the prevention and elimination of radio interference (2014/30/EU).

- Keep this manual as a reference for future use.
- The manufacturer reserves the right to modify the characteristics of the models without prior notice.
- Some models may not have all the accessories indicated.

Warning: this appliance must be earthed.

1. This appliance is designed to be used indoors and under no circumstances should it be installed outside, even if protected by a roof. Leaving the appliance exposed to the rain and weather is exceedingly dangerous.
2. This appliance is not intended for use by persons (including children) with reduced physical, sensory or mental capabilities, or lack of experience and knowledge, unless they have been given supervision or instruction concerning use of the appliance by a person responsible for their safety. Children should be supervised to ensure that they do not play with the appliance.
3. Do not attempt to operate or handle this appliance when barefoot, or with wet hands or feet.
4. It is highly recommended that you do not operate this appliance by connecting it to the power supply with extensions or multiple socket plugs.

If the appliance has been installed between two cabinets, make sure that the supply cord is not dangerously crimped or trapped beneath a heavy object.

5. Never pull the cable or the appliance to remove the plug from the socket; this is exceedingly dangerous.
6. Do not touch the internal cooling elements, especially if your hands are wet, since you could burn or hurt yourself. Do not place ice cubes straight from the freezer into your mouth as this may result in burns.
7. Before doing any cleaning, disconnect the appliance from the electricity (by pulling out the home).
8. Before disposing of your old appliance, remember to break or remove the lock as a safety measure to protect children who might lock themselves inside the appliance when playing. In addition, if the appliance is a new one with a lock, keep the key out of the reach of small children.
9. If your appliance is not operating properly, read the chapter entitled, "Trouble Shooting", which might help you resolve the problem. Do not attempt to repair the appliance by tampering with the internal components.
10. If the supply cord is damaged, it must be replaced by the manufacturer, its service agent or similarly qualified persons in order to avoid a hazard.
11. Do not use electric appliances inside the food storage compartments of the appliance, unless they are of the type recommended by the manufacturer.
12. Do not use mechanical devices or other means to accelerate the defrosting process, other than those recommended by the manufacturer.

13. Do not store explosive substances such as aerosol cans with a flammable propellant in this appliance.

14. This appliance is intended to be used in household and similar applications such as:

- Staff kitchen areas in shops, offices and other working environments;
- Farm houses and by clients in hotels, motels and other residential type environments;
- Bed and breakfast type environments;
- Catering and similar non-retail applications.

15. At the end of the functional life of your appliance containing cyclopentane gas in the insulation foam and perhaps R600a gas (isobutane) in the refrigeration circuit - it should be made safe before being sent to the dump. For this operation, please contact your dealer or the Local Organisation in charge of waste disposal.

16. Do not damage the refrigeration circuit.

17. Keep ventilation openings, in the appliance enclosure or in the built-in structure, clean and clear of obstruction.

Fuse replacement

If the mains lead of this appliance is fitted with a BS 1363A 13 amp fused plug, to change a fuse in this type of plug use an A.S.T.A. approved fuse to BS 1362 type and proceed as follows:

1. Remove the fuse cover and fuse.
2. Fit replacement 13A fuse into fuse cover.
3. Refit both into plug.

Important: The fuse cover must be refitted when changing a fuse and if the fuse cover is lost the plug must not be used until a correct replacement is fitted.

Correct replacement is identified by the colour insert or the colour embossed in words on the base of the plug. Replacement fuse covers are available from your local electrical store.

Connection to a rewirable plug

If the fitted plug is not suitable for your socket outlet, then it should be cut off and disposed of in order to avoid a possible shock hazard should it be inserted into a 13A socket elsewhere. A suitable alternative plug should then be fitted to the cable. The wires in this mains lead are coloured in accordance with the following code; BLUE - neutral ("N") BROWN - live ("L") GREEN AND YELLOW - earth ("E")

1. The GREEN AND YELLOW wire must be connected to the terminal in the plug which is marked with the letter "E" or by the Earth symbol or coloured green or

green and yellow.

2. The BLUE wire must be connected to the terminal which is marked with the letter "N" or coloured black.

3. The BROWN wire must be connected to the terminal which is marked with the letter "L" or coloured BROWN or RED which is connected to the fuse.

INSTALLATION

To ensure that the appliance operates properly and to reduce energy consumption, it is important that the appliance is installed correctly.

Ventilation

The compressor and condenser generate heat and, therefore, need to be ventilated properly. Rooms with no ventilation are not suited for installation of the appliance. Therefore, it should be installed in a room with an opening (window or French window) that provide the appropriate amount of air re-circulation. It is also important to install it in a free humidity room.

During installation, make sure not to cover or obstruct the grates that allow for proper ventilation of the appliance.

For proper ventilation of the appliance, leave a space of at least 10 cm between the sides of the appliance and any adjacent cabinets/walls.

Away from Heat

Avoid positioning the appliance in a place where it is directly exposed to sunlight or near an oven, cook top or the like.

Electrical and Earth Connection

The appliance should not be turned on right after transportation. Two hours is the advised time so that the oil from the motor-compressor gets back to its original position. Before proceeding with the electrical connection, make sure that the voltage indicated on the rating plate, corresponds to the mains voltage in your home and that the socket is fitted with a standard earth wire in accordance with safety standards. If the socket is not fitted with an earth wire, the manufacturer will not be held liability for any damages and or injuries arising out of the use of the appliance. Do not use multiple sockets or adapters. Position the appliance in such a way that you can access the socket where it is plugged in.

Electrical power

The electrical socket must be able to handle the maximum power load of the appliance, which is indicated on the rating plate located in the back of the appliance.

THE APPLIANCE

A - Temperature adjustment knob

By turning the knob from setting **Min (1)** to setting **Max (4/5)** allows adjust the temperature inside the freezer.

B - Warning Indicator (red light)

When this red warning light comes on for a prolonged

period of time, it means that the freezer is not functioning properly and the temperature is too high. This warning light may come on for a brief period when the door is left open for an extended period of time (when the freezer is being loaded or unloaded).

C - Power supply indicator (green light)

The green light will come on and stay on while the appliance is connected and is operating normally.

D - Fast freeze indicator / Running compressor indicator (orange light)*

This yellow indicator light will come on when the Temperature adjustment knob is turned to the "Super" position **E** (if present).

Models without "Super" function, this light (if present) comes on while compressor is running.

E - The freezing position *

The position "Super", allows the compressor to function continuously in order to reach the necessary temperatures for the rapid freezing of fresh food. When the push button is not pressed, the freezer is functioning according to the thermostat regulation.

F - Internal light*

G - Defrost water drain system*

H - Basket *

I - Ventilating grille

J - Wheels or feet (depending on model)

* - Not present in all models

This refrigeration appliance is not designed to be used as an integrated appliance. It must be installed respecting the conditions indicated in the instruction manual.

This appliance must be installed in a place compatible with its climatic class declared on the data label located on the back side of the appliance:

Symbol	Climatic Class	Minimum ambient temperature	Maximum ambient temperature
SN	Extended temperate	+10°C	+32°C
N	Temperate	+16°C	+32°C
ST	Subtropical	+16°C	+38°C
T	Tropical	+16°C	+43°C

SETTING UP THE APPLIANCE

Before starting the appliance, follow the installation instructions (see "Safety" and "Installation").

Once the appliance has been connected to the power source, the green "C" and red "B" lights will turn on. Activate the fast freeze function "Super" (if present) by turning the "E" control to the position "Super" (the yellow "D" (light will turn on).

When the red "B" light turn off, turning off the "Super" (if present), the yellow "D" light will turn off and change the setting by turning the temperature adjustment knob "A", to the one of the medium settings. At this point the

freezer can be used.

The thermostat should be adjusted for the different types of use as shown in table above.

The instructions presented on the internal lid / conservation time (months) are only applied for $\leq -18^{\circ}\text{C}$ / food freezer and three-stars storage temperature.

Storage temperature (°C)	
Fresh-food storage	$0 \leq +8$
Chill	$-3 \leq +3$
Food freezer and three-star	≤ -18
Two-star	≤ -12
One-star	≤ -6

NOTICE: Use average temperature settings to ensure optimum performance and to save energy. Some models may not have all the functions described.

EFFICIENT USAGE OF THE APPLIANCE

Tips on freezing

Remember that you should never refreeze products you have allowed to thaw, even if only partially. Once thawed, cook the food, then either eat (within 24 hours) or refreeze it.

Tips on packaging

For the best storage and thawing, remember to freeze small portions. This will ensure rapid and uniform freezing.

Mark package with a description of the contents and the date it was frozen. Never freeze more food than that allowed by the maximum freezing capacity indicated on the data plate which is located on the back of the freezer.

To freeze food, make sure that the red light is off. Then place the food to be frozen into the freezer, making sure that it is placed, to the furthest extent possible, in direct contact with the side walls of the deepest part of the freezer and not in contact with food that has already been frozen. Proper storage depends on the speed at which the food is frozen. For this reason, we recommend that the switch should be turned to the "Super" **E** (if present) setting 24 hours before the food to be frozen is placed inside the freezer.

Avoid opening the freezer door during the freezing process.

Placing substantial amounts of fresh food in the appliance may temporarily raise the temperature within the freezer (the red light may turn on). Since this is a temporary situation, it will not compromise the storage of the food that has already been frozen. **Attention:** Do not forget to change the temperature setting if you want to avoid useless wastes of energy.

In the case of power failure or breakdown, do not open the freezer door. This will help maintain the tempera-

ture inside the freezer, ensuring that the goods are conserved for at least 20 hours.

Do not place full bottles in the freezer because liquids increase in volume when they freeze and this could cause the bottles to burst.

Tips on storage

For best storage of fresh-frozen and frozen foods, do not set the thermostat knob below **Min**, regardless of the ambient temperature of the room where the freezer is installed.

For ambient temperatures of up to 25°- 27°C, the thermostat knob should be set between **1** and **2**, while for temperatures up to 32°C the setting should be between **2** and **3**.

Follow the instructions on the packages of frozen foods scrupulously.

If none are provided, do not store the food for more than 3 months from the date of purchase.

When purchasing frozen food, make sure that they have been stored at the proper temperature and that the package is properly sealed. When purchasing frozen foods, it is best to transport them in appropriate containers to keep them cold and then place them in the freezer immediately.

If the package is damp on the outside or is abnormally swollen, it is likely that the package was stored at an inadequate temperature and the food has deteriorated.

Setting the thermostat to warmer values than those indicated in the table in the chapter "Setting up the appliance", or installing it in unsuitable conditions, may compromise the preservation of food.

ENERGY SAVING

Install the Appliance Correctly

This means that the appliance should be installed away from sources of heat or direct sunlight, in a well ventilated room.

Correct Temperature Settings

Set the freezer temperature knob to one of the medium settings. Very low temperatures will not only consume a great deal of energy, but will neither improve nor lengthen the storage life of the food.

Shut the Doors

Open your appliance only when strictly necessary – every time you open the door most of the cold air will be lost.

In order to restore the correct temperature, the motor will have to run and consume energy.

Check the Door Seals

Keep the seals clean and pliable so that they fit closely against the door to ensure that no cold air is lost.

Avoid Frost Build-up

Remember to check the sides of the freezer for frost. When the frost becomes too thick, defrost the freezer immediately (See, "Maintaining the Appliance").

MAINTAINING THE APPLIANCE

Before doing any cleaning, disconnect the appliance from the electricity (by pulling out the plug or turning off the general switch in your home)

Defrosting



WARNING: do not damage the refrigeration circuit.

It is a good idea to remove the frost build up inside of the appliance from time to time.

Make sure not to use pointed metal objects to do so as this could result in piercing the refrigeration circuits, causing irreparable damage to the appliance. Use a not-pointed tool in plastic material.

To defrost the freezer completely (which should be done once or twice a year), disconnect the appliance from the power supply and leave the door open until all the frost has melted.

The freezer is equipped with a system to drain the water from the defrosting procedure. Simply, place a container in the position indicated in figures **1** or **2**. To speed up defrosting, one or more pots of warm water can be placed inside the appliance.

While defrosting the freezer, it is a good idea to wrap the food taken from the freezer in several layers of paper and place it in a cool place. Since the temperature of the frozen food will inevitably rise, it is best to consume it quickly as its storage life will have been shortened.

Cleaning and Maintenance

The inside of the freezer should be cleaned on a periodic basis after it has been defrosted. Only use a water and bicarbonate solution to clean the appliance.

Do not use abrasive cleaning products, detergents or soap. After the inside has been cleaned, rinse well with clean water and dry carefully.

Once the appliance has been cleaned, turn on the appliance, following the instructions in **Setting Up Your Appliance**.

Changing the inside lamp bulb

To change the bulb inside the appliances that are equipped with internal lighting, remove the bulb cover situated on the inside wall of the door by pushing the ends of the cover indicated in figures **1** or **2**. Replace the old bulb with a new one of no higher than 15 W.

When not in use

Should the unit not be used for a long period of time (for example during the summer holidays), disconnect the plug from the mains and leave the door open to avoid the formation of mould and unpleasant odours after completing the defrosting and cleaning operations.

TROUBLESHOOTING

The green light is off

Check if:

- There is power to the unit;
- The main power switch to the house is on.

The red alarm light is always on

Check if:

- The door is closed properly and the seal is still OK;
- The door is being opened too often;
- The temperature knob is on the right setting;
- There is too much frost build-up.

The motor runs constantly

Check if:

- The freezer is levelled;
 - The appliance has been installed between cabinets that vibrate and make noise;
 - It is the noise made by the refrigerant, which occurs even when the compressor is off (this is not a defect);
- If after the checks the appliance still does not operate or the problem persists, call the nearest Service Centre, communicating:

type of malfunction, appliance model (**Mod.**) and Serial Number (**SN**). This information can be found on the data plate located on the back of the appliance.

Never call on unauthorized technicians and always refuse spare parts which are not originals.

CUSTOMER SERVICE

You can solve many problems yourself by consulting the information on troubleshooting. If this is not the case and you are unable to rectify faults on the appliance yourself or if your appliance needs to be repaired, contact Customer Service.

For safety reasons repairs to the appliance should only be carried out by trained specialist staff. The warranty claim becomes void if repairs or interventions have been carried out by persons not authorized by us for that purpose or if our appliances have been fitted with spare, supplementary or accessory parts that were non genuine parts and then resulted in a defect.

Function-relevant genuine spare parts according to the corresponding Eco-design Order¹ can be obtained from Customer Service for a period of no less than 7 years, from the date on which your appliance was placed on the market within the European Eco-nomic Area. To request them simply contact Customer Service indicating the desired part and providing the reference and serial number of the appliance found on the data label located on the back side of the appliance.

Some spare parts are reserved for assembly by accredited professionals and cannot be sold to third parties.

WARRANTY*

The minimum duration of the warranty (manufacturer's warranty for private consumers) in the European Economic Area is **3 years** according to the terms of warranty applicable locally.

Professional repairers can request accreditation contacting the manufacturer or dealer, consulting the data indicated on the data label located on the back side of the appliance. After registration and proof of credentials, all relevant technical documentation will be provided. There may be a cost associated with this process.

The warranty will not apply in case of:

- Any type of malfunction or damage, when there is manipulation or alteration of the data on the data label or if there is intervention by unauthorized technical

personnel or those who do not belong to the official technical service of the brand.

- Show oxidation or corrosion damage on metal surfaces or paints, resulting from the use of chemicals or improper use.

- Normal wear and tear

- Incorrect use, like overloading of the appliance, use of non-approved accessories, false placement or storage, improper connection or installation

- Use of force, damage caused by external influences

- Damage caused by non-observance of the user manual or wrong treatment or operation, connection to an unsuitable mains supply or non-compliance with the installation instructions

- Partially or completely dismantled appliances

Detailed information about the warranty period and terms of warranty in your country are available from Customer Service or your dealer.

* Only applies to countries in the European Economic Area. For countries outside EU, please check locally (local store where your purchase was made) if and how guarantee applies.

TECHNICAL DATA

Technical information can be found on the technical data label on the back side of the appliance and on the energy data label¹.

The QR code¹ on the energy label, supplied with the appliance, provides a web link with information related to the appliance's performance in the EU EPREL database¹.

To find the product data in the European database (EPREL)¹, simply read the QR code at the top right of the energy label¹, provided with the appliance, and the link to the application will open.

Keep the energy label¹ for reference along with the user manual and all other documents provided with this appliance.

You can find additional information using the link <https://eprel.ec.europa.eu>¹.

¹ Only applies to countries in the European Economic Area

ÍNDICE

SEGURANÇA	9	CONSELHOS PARA ECONOMIZAR	12
INSTALAÇÃO	10	COMO MANTÊ-LO EM FORMA	12
O APARELHO	10	HÁ UM PROBLEMA	12
COMO PÔR EM FUNCIONAMENTO O APARELHO	11	SERVIÇO AO CLIENTE	13
COMO UTILIZAR MELHOR	11	DADOS TÉCNICOS	13

SEGURANÇA

⚠ ATENÇÃO

Antes de colocar o aparelho em funcionamento, leia cuidadosamente este manual de utilização e montagem, uma vez que ele garante a sua correta instalação, utilização e manutenção.

O seu aparelho foi desenvolvido de acordo com as Normas Europeias no âmbito da Diretiva de Baixa Tensão (2014/35/UE) e da Diretiva de Compatibilidade Eletromagnética (2014/30/UE).

- Guarde este manual para poder consultá-lo em qualquer momento.
- O fabricante reserva-se o direito de alterar as características dos modelos sem aviso prévio.
- Alguns modelos podem não dispor da totalidade dos acessórios assinalados.

Aviso: Este aparelho deve ser ligado à terra.

1. Este aparelho não deve ser instalado ao ar livre, mesmo se a área estiver protegida por uma cobertura. É muito perigoso deixá-lo exposto à chuva e intempéries.
2. Este aparelho não está destinado a ser usado por pessoas (incluindo crianças) cujas capacidades físicas, sensoriais ou mentais estejam reduzidas, ou careçam de experiência ou conhecimento, salvo se tiverem tido supervisão ou instruções relativas ao uso do aparelho por uma pessoa responsável pela sua segurança. As crianças devem ser supervisionadas para evitar que brinquem com o aparelho.
3. Nunca tocar ou manusear este aparelho com os pés descalços, ou com as mãos ou os pés molhados.
4. Não é aconselhável a utilização de extensões ou fichas múltiplas. Se o aparel-

ho for instalado entre móveis, verificar se o cabo elétrico não fica dobrado nem pressionado de forma perigosa.

5. Nunca puxar o cabo de alimentação nem o aparelho para o soltar da tomada da parede: é muito perigoso.

6. Não tocar nos componentes internos de refrigeração, principalmente com as mãos molhadas, poderá sofrer queimaduras ou ferir-se. Pela mesma razão também não deve colocar na boca cubos de gelo recém retirados do congelador.

7. Não limpar nem efetuar operações de manutenção antes de desligar o aparelho da tomada de eletricidade. Não é suficiente colocar o botão regulador de temperatura na posição desligado para eliminar todos os riscos elétricos.

8. Antes de se desfazer do seu eletrodoméstico velho, retire a eventual fechadura para evitar que crianças a brincar possam ficar trancadas dentro do aparelho.

9. No caso de avaria, leia o capítulo “Resolução de Problemas”, para verificar se lhe é possível resolver a eventual avaria. Não tente proceder à sua reparação, mexendo nas partes internas do aparelho.

10. Se o cabo de alimentação estiver danificado, deve ser substituído pelo fabricante, pelo seu serviço pós-venda ou pessoa igualmente qualificada de modo a evitar um perigo.

11. Não utilize aparelhos elétricos no interior do aparelho, excetuando os recomendados pelo fabricante.

12. Não utilize aparelhos mecânicos ou quaisquer outros para acelerar o processo de descongelamento, excetuando os recomendados pelo fabricante.

13. Não armazenar neste aparelho substâncias explosivas tais como aerossóis conten-

do gases propulsores inflamáveis.

14. Este aparelho deve ser utilizado em aplicações domésticas e análogas tais como:

- Áreas de cozinha reservadas ao pessoal de lojas, oficinas e outros ambientes profissionais,
- Casas de campo e à utilização por clientes de hotéis, motéis e outros ambientes de carácter residencial,
- Ambientes do tipo quarto de hotel,
- Restauração e outras aplicações similares exceto de venda a retalho.

15. No final da vida útil do aparelho – que contém gases inflamáveis, tais como o ciclopentano na espuma de isolamento e possivelmente R600a (isobutano) no circuito de refrigeração, é necessário promover a sua eliminação de acordo com a legislação em vigor (REEE).

O consumidor deve contactar as entidades locais ou os pontos de venda, para solicitar informação referente à sua entrega para reciclagem.

16. Não danificar o circuito de refrigeração.

17. Manter as aberturas de ventilação do aparelho ou da estrutura de encaixe limpas e livres de obstruções.

INSTALAÇÃO

Para garantir um bom funcionamento bem como um consumo reduzido de energia, é importante que a instalação seja feita corretamente.

Ventilação

O compressor e o condensador emitem calor, portanto necessitam de boa ventilação. Ambientes com pouca ventilação não são adequados, o aparelho deve ser instalado num compartimento dotado com uma abertura, tal como uma janela ou uma porta para o exterior por forma a garantir a renovação de ar. O ambiente não deve ser demasiado húmido. Confirmar que as aberturas ou grelhas que permitem a ventilação do aparelho não ficam obstruídas ou cobertas. Para garantir um bom funcionamento deve-se deixar uma distância de pelo menos 10 cm entre as suas laterais e móveis ou paredes de fundo.

Afastado do calor

Evite posicionar o aparelho num lugar exposto diretamente à luz solar, ao lado de um fogão ou qualquer outra fonte de calor.

Ligações elétricas e ligação à terra

Não deverá colocar o aparelho em funcionamento logo a seguir ao seu transporte. Duas horas é o tempo considerado suficiente para que o óleo do motor compressor volte à sua situação normal.

Antes de proceder à ligação elétrica, deve verificar se a tensão indicada na placa de características, corresponde à tensão da instalação elétrica da casa e se a tomada está equipada com uma ligação à terra de acordo com a lei em vigor relativa à segurança das instalações. Se não existir ligação à terra adequada, o fabricante declinará toda e quaisquer responsabilidades sobre eventuais danos materiais e/ou pessoais em caso de avaria. Não utilizar fichas ou adaptadores múltiplos. Posicione o aparelho de modo a poder alcançar facilmente a ficha de ligação à tomada elétrica.

Potência elétrica

A tomada elétrica deve ser adequada ao valor máximo da potência do aparelho, indicado na placa de característica colocada na traseira do equipamento.

O APARELHO

A - Seletor para regulação de temperatura

Ao rodar o seletor regula-se para **Min (1)** a **Max (4/5)** a temperatura dentro do aparelho.

B - Indicador luminoso de alarme (luz vermelha)

Quando este indicador luminoso vermelho estiver aceso durante um período de tempo prolongado, significa que o funcionamento do congelador não está regular e que a temperatura no seu interior está demasiado alta. Este indicador pode, no entanto, acender-se por um curto período quando a tampa permanecer aberta durante algum tempo ou no início do processo de congelamento.

C - Indicador de tensão (luz verde)

Este indicador verde acende desde que o aparelho esteja ligado à rede elétrica.

D - Indicador de congelação rápida / Funcionamento compressor (luz laranja) *

Este indicador amarelo acende-se quando se selecionar a posição de "Super" (E). Nos modelos sem função "Super", este sinalizador (se existente) indica o funcionamento do compressor.

E - Posição de congelação rápida *

Esta função denominada de "Super", permite que o compressor funcione em contínuo para que o congelador atinja rapidamente as temperaturas desejadas para a congelação rápida dos alimentos frescos.

F - Iluminação interior *

G - Dreno para descarga água *

H - Cesto *

I - Grelha lateral

J - Rodízios ou pés (dependendo do modelo)

* - Não disponível em todos os modelos

Este aparelho não foi concebido para ser utilizado como aparelho de encastre. Deve instalar-se respeitando as condições indicadas no manual de instruções.

Este aparelho deve ser instalado num local compatível com a sua classe climática, que é declarada na etiqueta de características, localizada na traseira do equipamento:

Símbolo	Classe climática	Temperatura ambiente mínima	Temperatura ambiente máxima
SN	Temperada alargada	+10°C	+32°C
N	Temperada	+16°C	+32°C
ST	Sub-tropical	+16°C	+38°C
T	Tropical	+16°C	+43°C

COMO PÔR EM FUNCIONAMENTO O APARELHO

Antes de colocar em funcionamento o aparelho, leia e respeite as secções “Segurança” e “Instalação”. Depois de ter ligado o aparelho à rede de alimentação elétrica, acendem-se os indicadores verde “C” e vermelho “B”. Ativar (se disponível) a função de congelação rápida “Super”, acionando o comando “E” para a posição “Super”, (indicador amarelo “D” deverá ficar aceso). Quando o indicador vermelho “B” tiver apagado, desligar a função “Super”, desativando o comando “E” (se disponível, indicador amarelo “D” deverá ficar apagado), e colocar o seletor “A” numa posição média. Nesta altura o congelador já pode ser utilizado.

Atenção: para um melhor e mais económico funcionamento, lembre-se de colocar o seletor de regulação da temperatura numa posição média.

Se, depois de fechar a tampa do aparelho, não conseguir voltar a abrir logo a tampa, aguarde dois a três minutos para compensar o vácuo gerado.

O termostato deve ser ajustado para diferentes tipos de uso, conforme mostra na tabela.

As instruções apresentadas no interior da tampa / período de conservação (meses) apenas são aplicados para $\leq -18^\circ\text{C}$ / congelação de alimentos e temperatura de armazenamento de três-estrelas.

Temperaturas de armazenagem (°C)	
Armazenagem de alimentos frescos	$0 \leq +8$
Ultra-refrigeração	$-3 \leq +3$
Congelador de alimentos e três-estrelas	≤ -18
Duas estrelas	≤ -12
Uma estrela	≤ -6

Alguns modelos podem não dispor de todas as funções indicadas.

COMO UTILIZAR MELHOR

Dicas sobre congelamento

Um alimento descongelado, mesmo se apenas parcialmente, nunca deve voltar a ser congelado: deverá cozinhá-lo para consumo (dentro de 24 horas) ou para congelá-lo novamente.

Dicas sobre embalamento

Para obter uma congelação e uma sucessiva descongelação ideal é aconselhável dividir os alimentos em pequenas porções, porque deste modo congelam-se rapidamente e de maneira homogénea. Nas confeções indicar o conteúdo e a data de congelação.

Nunca congelar uma quantidade superior à capacidade máxima de congelamento indicada na placa de características situadas atrás do congelador.

Antes de colocar os alimentos a congelar certifique-se que o indicador “B” vermelho esteja apagado, tomar cuidado para que fiquem em contacto com as laterais da parte mais profunda da cela e não em contacto com os alimentos já congelados. A boa conservação dos alimentos congelados depende da velocidade de congelação, por este motivo aconselhamos ativar a função “Super” (se disponível), 24 horas antes de guardar os alimentos a serem congelados.

Durante a congelação evitar abrir a porta do congelador.

A introdução de grandes quantidades de alimentos a serem congelados pode aquecer momentaneamente a temperatura no interior do congelador (acende-se o indicador vermelho “B”). Esta situação, por ser transitória, não prejudica a boa conservação dos alimentos já guardados.

Depois de 24 horas, terminada a congelação, desativar a função “Super” (se disponível) e colocar o regulador de temperatura “A” numa posição média.

Atenção: esta operação não deve ser esquecida, de forma a evitar desperdícios de eletricidade.

Não abrir a porta do congelador em caso de falta de energia elétrica ou de avaria, deste modo os alimentos conservar-se-ão sem alterações durante cerca de 20 horas.

Não colocar no congelador garrafas cheias: poderão partir-se, porque ao congelarem-se todos os líquidos aumentam de volume.

Dicas sobre armazenamento

Respeitar as instruções apresentadas nas embalagens dos alimentos pré-congelados. Na ausência das mesmas, não os conservar por mais de 3 meses depois da data de compra.

Na compra de produtos pré-congelados é preciso certificar-se que os mesmos estejam conservados numa temperatura adequada e que a embalagem esteja intacta. Para manter inalterada a qualidade dos alimentos congelados, é oportuno transportá-los em recipientes apropriados e guardá-los assim que possível dentro do aparelho. Se uma embalagem apresentar marcas de humidade ou estiver inchada de maneira anormal, é provável que tenha sido anteriormente conservada a temperatura inadequada e que o conteúdo, entretanto se tenha estragado.

Ajustar o termostato para valores mais quentes que os indicados na tabela do capítulo “Uso do aparelho”, ou

instalá-lo em condições não adequadas, pode comprometer a conservação dos alimentos.

CONSELHOS PARA ECONOMIZAR

Instalar bem o aparelho

Isto é, longe de fontes de calor, da luz direta do sol, num local bem ventilado.

O frio correto

Colocar o seletor de regulação da temperatura numa posição média. O excesso de frio, além de consumir muito, não melhora nem prolonga a conservação dos alimentos.

Fechar a tampa

Abriu o aparelho o mínimo de vezes possível, porque cada vez que o abrir, sai uma parte do ar frio. Para restabelecer a temperatura, o motor deve funcionar um longo tempo e consumir muita energia.

Verificar o vedante da tampa

Mantenha o vedante limpo e flexível para que vede bem e evite perdas de energia.

Verificar a formação de gelo nas paredes internas

Quando a camada de gelo nas paredes internas fica espessa demais, descongele o aparelho (veja capítulo "Como mantê-lo em forma").

COMO MANTÊ-LO EM FORMA

Antes de começar as operações de limpeza ou de manutenção lembre-se de desligar o aparelho da rede de alimentação elétrica (desligar a ficha da tomada).

Descongelamento

⚠ ATENÇÃO: não estrague o circuito de refrigeração.

É conveniente periodicamente retirar o gelo que se forma nas paredes do congelador, não utilizar para esta operação objetos metálicos que possam causar furos no circuito refrigerante. Utilize um utensílio não pontiagudo em material plástico.

Para obter o completo descongelamento do aparelho, desligar o aparelho da rede de alimentação e deixar a porta aberta até que o gelo se derreta completamente. Para acelerar pode colocar dentro do congelador um ou mais recipientes com água morna. A água do descongelamento pode ser recolhida num recipiente conforme indicado nas figuras 1 e 2. Durante as operações de descongelamento é oportuno enrolar os alimentos conservados em diversas folhas de papel e guardá-los em lugares frescos.

Cuidado com a guarnição

Manter elástica e limpa a guarnição de borracha que garante a vedação da tampa, só assim não deixará sair o frio interno.

Gelo no congelador

Controlar a espessura do gelo nas paredes do congelador e efetuar a descongelação se a camada estiver demasiado grossa, excesso de gelo torna mais difícil a transmissão de frio aos alimentos e aumenta o consumo elétrico.

Limpeza e manutenção especial

A limpeza interna do aparelho deve ser efetuada periodicamente.

Depois de ter descongelado o aparelho, empregar bicarbonato de sódio dissolvido em água morna. Evitar sempre a utilização de produtos abrasivos, detergentes ou sabão. Depois da lavagem, enxaguar com água limpa e enxugar com cuidado.

Substituição da lâmpada

Não esquecer de desligar o aparelho da rede de alimentação elétrica!

Para substituir a lâmpada de iluminação interna deve retirar a cobertura da lâmpada situada no interior conforme as figuras 3 e 4. A lâmpada deverá ter uma potência não superior a 15 W.

Inatividade prolongada do aparelho

Nos casos em que o aparelho não seja utilizado durante longos períodos (por exemplo durante as férias), é aconselhável desligá-lo da rede de alimentação e deixar a porta aberta para evitar a formação de maus cheiros ou mofo.

HÁ UM PROBLEMA

Indicador luminoso verde apagado

Verificar se :

- Está a faltar eletricidade;
- O interruptor geral da habitação está desligado.

Indicador luminoso vermelho sempre aceso

Verificar se:

- A porta fecha bem e a guarnição não está estragada;
- A porta tem sido aberta muitas vezes;
- O seletor de regulação da temperatura está na posição correta;
- Nas superfícies internas há demasiado gelo.

O motor está a funcionar continuamente

Verificar se :

- A porta fecha bem e a guarnição não está estragada;
- A porta tem sido aberta muitas vezes;
- Nas superfícies internas há demasiado gelo;
- O termostato está na posição correta;
- A temperatura ambiente externa está muito alta.

O aparelho faz demasiado ruído

Verificar se :

- O aparelho está bem nivelado;
- Foi instalado entre móveis ou objetos que vibram;
- O gás refrigerante interno produz um leve ruído, mesmo quando o compressor está parado (isto não é um defeito, é normal).

Se, apesar de todos os controlos, o aparelho não funcionar corretamente, chamar o Centro de Assistência Técnica mais próximo, comunicando as seguintes informações: tipo de avaria, a sigla do modelo (**Mod.**) e o respetivo número série (**SN**) escrito na placa de características situada na traseira do aparelho.

Nunca recorrer a técnicos não autorizados e recusar sempre a instalação de peças sobressalentes não originais.

SERVIÇO AO CLIENTE

Muitos problemas podem ser autonomamente resolvidos, consultando a informação presente no capítulo “resolução de problemas”. Se este não é o caso ou não consegue resolver as falhas do aparelho e este necessita de ser reparado, entre em contacto com o serviço ao cliente. Por razões de segurança, as reparações do aparelho apenas devem ser realizadas por profissionais autorizados.

A garantia poderá ser anulada, se as reparações ou intervenções tiverem sido realizadas por pessoas não autorizadas para tal fim e se tiverem sido incorporados no aparelho acessórios alternativos, sem ser de origem, e que possam ter resultado em avaria ou em defeito.

De acordo com o regulamento ecodesign, os acessórios originais relevantes, para a função do aparelho, podem ser obtidos por um período não inferior a 7 anos, a partir da data de venda do aparelho, consultando o serviço de atendimento ao cliente, dentro do espaço económico europeu. Para solicitá-los entre em contacto com serviço de cliente, indicando o acessório pretendido e facultando a referência e o número de série do aparelho, que poderão ser encontrados na etiqueta de dados técnicos, situada na zona posterior do aparelho.

Algumas peças de substituição estão reservadas para a montagem por profissionais acreditados e não poderão ser vendidos a utilizadores finais.

GARANTIA*

A duração mínima da garantia (garantia do fabricante para utilizadores finais), no espaço económico europeu é de **3 anos**, segundo as normas legalmente estabelecidas. Este período de garantia é válido para aplicações domésticas e análogas.

Pode obter informação detalhada sobre o período de garantia e as condições em vigor no seu país, consultando o serviço de atendimento ao cliente ou o distribuidor local.

Os reparadores profissionais podem solicitar a acreditação junto do fabricante ou seu representante, contactando o serviço de atendimento ao cliente, para a morada indicada na placa de características, localizada na parte posterior do aparelho.

Depois do registo e aprovação das credenciais, será enviada toda a documentação técnica relevante. Pode haver um custo associado a este processo.

A garantia não se aplicará em caso de:

- Qualquer tipo de avaria ou dano, quando se tenha realizado manipulação ou alteração dos dados da etiqueta de características ou se houver intervenção por pessoal técnico não autorizado ou não pertencente aos serviço técnico oficial da marca.

- Apresente oxidação ou danos por corrosão nas superfícies metálicas ou pinturas, resultantes da utilização de produtos químicos ou uso indevido.

- Uso e desgaste normal;

- Uso incorreto, como sobrecarga do aparelho, uso de acessórios não aprovados, armazenamento incorreto, ligação ou instalação incorreta;

- Uso de força ou dano causado por influência externa;

- Danos causados pelo desprezo da informação presente no manual de instruções ou por um tratamento ou operação incorretos;
- Ligação a uma rede de alimentação inadequada ou incumprimento das condições de instalação;
- Aparelhos parcial ou totalmente desmontados;

*Só se aplica a países do Espaço Económico Europeu. Para países fora da EU, verifique localmente (local de venda), se se aplica a garantia e em que condições se aplica.

DADOS TÉCNICOS

A informação técnica encontra-se na placa de características, localizada na parte posterior do aparelho e na etiqueta de energia¹.

O código QR¹ da etiqueta de energia, fornecida com o aparelho, proporciona uma conexão web à informação relacionada com o desempenho do aparelho, na base de dados EU EPREL¹.

Para consultar os dados do produto na base de dados europeia (EPREL)¹, basta ler o código QR localizado na parte superior direita da etiqueta de energia¹, fornecida com o aparelho, e será estabelecida uma ligação à respetiva aplicação.

Conserve a etiqueta de energia¹ como referência, junto com o manual de instruções e todos os demais documentos, fornecidos com o aparelho.

Pode encontrar informação adicional acedendo à ligação //eprel.ec.europa.eu .

¹ Só se aplica a países do Espaço Económico Europeu.

SOMMAIRE

SÛRETÉ	14	ÉCONOMIE D'ÉNERGIE	17
INSTALLATION	15	MAINTIEN DE L'APPAREIL	17
L'APPAREIL	15	DÉPANNAGE	17
INSTALLATION DE L'APPAREIL	16	SERVICE CLIENTS	18
UTILISATION EFFICACE DE L'APPAREIL	16	DONNÉES TECHNIQUES	18

SÛRETÉ

⚠ ATTENTION

Lire attentivement les avertissements contenus dans ce livret car ils fournissent des indications importantes pour la sécurité de l'installation, de l'utilisation et de l'entretien.

Votre réfrigérateur est construit aux normes de sûreté électrique 2014/35/UE. Il répond également aux normes 2014/30/UE sur la prévention et l'élimination de l'interférence par radio.

- Conservez ce manuel pour toute référence ultérieure.
- Le Fabricant se réserve le droit de changer les caractéristiques des modèles sans avis préalable.
- Certains modèles peuvent ne pas disposer de la totalité des accessoires signalés.

Mise en Garde: Cet appareil doit être relié à la terre.

1. Cet appareil ne doit pas être installé à l'extérieur, même à l'abri d'un appentis, il est extrêmement dangereux de le laisser exposé à la pluie et aux orages.
2. Cet appareil n'est pas prévu pour être utilisé par des personnes (y compris les enfants) dont les capacités physiques, sensorielles ou mentales sont réduites, ou des personnes dénuées d'expérience ou de connaissance, sauf si elles ont pu bénéficier, par l'intermédiaire d'une personne responsable de leur sécurité, d'une surveillance ou d'instructions préalables concernant l'utilisation de l'appareil. Il convient de surveiller les enfants pour s'assurer qu'ils ne jouent pas avec l'appareil.
3. Ne touchez jamais ni ne manœuvrez l'appareil pieds nus ou avec les mains ou les pieds mouillés.

4. Nous déconseillons d'utiliser des rallonges ou des prises multiples. Si le réfrigérateur est installé entre des meubles, veillez par soucis de sécurité à ce que le cordon d'alimentation ne soit ni plié ni comprimé.

5. Ne tirez jamais sur le cordon ou le réfrigérateur pour débrancher la prise du courant : c'est extrêmement dangereux.

6. Ne touchez pas aux parties internes refroidissant, surtout si vous avez les mains mouillées, pour éviter toute brûlure ou blessure.

7. Ne procédez à aucune opération de nettoyage ou d'entretien sans avoir auparavant débranché l'appareil.

8. Avant d'envoyer votre ancien réfrigérateur à la déchetterie, rendez sa serrure inutilisable.

Vous éviterez ainsi que des enfants en jouant, ne restent enfermés à l'intérieur. De plus, si l'appareil est neuf et muni d'une serrure, veillez à ranger la clef hors d'atteinte des enfants.

9. En cas de panne, consultez le chapitre «Dépannage» pour vérifier si vous pouvez vous-même résoudre le problème.

Ne tentez pas de réparer la panne en essayant d'accéder aux parties internes.

10. Si le câble d'alimentation est endommagé, il doit être remplacé par le fabricant, son service après-vente ou des personnes de qualification similaire afin d'éviter un danger.

11. Ne pas utiliser d'appareils électriques à l'intérieur du compartiment de conservation des aliments s'ils n'appartiennent pas aux catégories recommandées par le fabricant.

12. Ne pas utiliser de dispositifs mécaniques ou autres moyens pour accélérer le processus de dégivrage autres

que ceux recommandés par le fabricant.

13. Ne pas stocker dans cet appareil des substances explosives telles que des aérosols contenant des gaz propulseurs inflammables.

14. Cet appareil est destiné à être utilisé dans des applications domestiques et analogues telles que:

- les coins cuisines réservés au personnel des magasins, bureaux et autres environnements professionnels;
- les fermes et l'utilisation par les clients des hôtels, motels et autres environnements à caractère résidentiel;
- les environnements de type chambres d'hôtes;
- la restauration et autres applications similaires hormis la vente au détail.

15. Avant d'envoyer votre appareil hors d'usage à la déchetterie, veillez à le rendre sûr car sa mousse isolante contient du gaz cyclopentane et son circuit réfrigérant peut contenir du gaz R600a (isobutane).

Pour cette opération, adressez-vous à votre revendeur ou au Service local prévu à cet effet.

16. N'endommagez pas le circuit de réfrigération.

17. Maintenir propre et dégagées les ouvertures de ventilation dans l'enceinte de l'appareil ou dans la structure d'encastrement.

INSTALLATION

Pour garantir le bon fonctionnement de votre appareil tout en réduisant sa consommation d'électricité, il faut qu'il soit installé correctement.

L'aération

Le compresseur et le condenseur produisent de la chaleur et exigent par conséquent une bonne aération. Les pièces mal ventilées sont par conséquent décongelées.

L'appareil doit donc être installé dans une pièce munie d'une ouverture (fenêtre ou porte-fenêtre) qui permette de renouveler l'air et qui ne soit pas trop humide.

Attention, lors de son installation, à ne pas boucher les grilles d'aération de l'appareil.

Pour une bonne aération de l'appareil, il faut prévoir une distance de 10 cm au moins entre les côtés de l'appareil et des meubles ou des murs latéraux.

Loin de toute source de chaleur

Évitez d'installer votre appareil dans un endroit exposé

à la lumière directe du soleil ou près d'une cuisinière électrique ou autre.

Raccordement électrique et mise à terre

Vous ne devriez pas mettre en marche l'appareil immédiatement après le transport. Deux heures sera suffisante contrôlez si le voltage indiqué sur la plaquette des caractéristiques correspond bien à celui de votre installation et contrôlez si la prise est dotée d'une mise à la terre conforme, comme prescrit par la loi 46/90 sur la sécurité des installations. S'il n'y a pas de mise à la terre, le Fabricant décline toute responsabilité. N'utilisez prises multiples ni adaptateurs. Installez l'appareil de manière à ce que la prise à laquelle il est connecté soit parfaitement accessible.

Puissance électrique

La prise électrique doit être en mesure de supporter la charge maximum de puissance de l'appareil, indiquée sur la plaquette des caractéristiques placée à l'arrière du congélateur.

L'APPAREIL

A - Bouton d'ajustement de la température

En tournant le bouton du réglage **Min** (1) à placer le **Max** (4/5) permet ajustent la température à l'intérieur du congélateur.

B - Le voyant d'avertissement (voyant rouge)

Quand ce voyant d'alarme rouge avance pendant une période prolongée, il signifie que le congélateur ne fonctionne pas correctement et la température est trop haute. Ce voyant d'alarme peut avancer pendant une brève période où la porte est laissée ouverte pendant une période prolongée (quand le congélateur est chargé ou déchargé).

C - Le voyant de signalisation d'alimentation d'énergie (voyant vert)

Le feu vert avancera et restera dessus tandis que l'appareil est relié et fonctionne normalement.

D - Le voyant de signalisation de gel / Le voyant de fonctionnement du compresseur (voyant orange) *

Ce voyant de signalisation jaune avancera quand le commutateur de congélation **E** est appuyé sur (si disponible).

Dans les modèles sans fonction « Super », ce voyant (si présent) indique que le compresseur est en marche.

E - Le commutateur de congélation *

Le bouton de poussée « Super », permet au compresseur de fonctionner sans interruption afin d'atteindre les températures nécessaires pour la congélation rapide de la nourriture fraîche. Quand le bouton de poussée n'est pas appuyé sur, le congélateur fonctionne selon le réglage de thermostat.

F - Lumière intérieure*

G - Dégivrez le système de drain de l'eau *

H - Panier

I - Gril d'aérât

J - Roues, pieds de support (selon le modèle)

* - Non présent dans tous les modèles

Cet appareil de réfrigération n'est pas conçu pour être utilisé comme appareil encastrable. Il doit être installé en respectant les conditions contenues dans le manuel d'instructions.

Cet appareil doit être installé dans un endroit compatible avec sa classe climatique déclarée sur l'étiquette signalétique située au dos de l'appareil:

Symbole	Classe climatique	Température ambiante minimale	Température ambiante maximale
SN	Tempérée élargie	+10°C	+32°C
N	Tempérée	+16°C	+32°C
ST	Semi-tropicale	+16°C	+38°C
T	Tropicale	+16°C	+43°C

INSTALLATION DE L'APPAREIL

Avant de mettre l'appareil en marche, suivez les instructions d'installation (voir « Sécurité » et « Installation »). Une fois que l'appareil a été relié à la source d'énergie, le « C » vert et les lumières rouges de « B » s'allumeront. Poussez le commutateur rapide « E » (si disponible) de gel à l'arrangement « Super » (la lumière jaune de « D » s'allumera).

Quand la lumière rouge de « B » s'éteint, changez l'arrangement en poussant le commutateur de « E » en arrangement non pressé (si disponible, la lumière jaune de « D » s'éteint) et changez le réglage en tournant le bouton de réglage de la température « A », vers une position moyenne. En ce moment le congélateur peut être utilisé.

Le thermostat doit être ajustée pour les différents types d'usage comme indiqué dans le tableau ci-dessus.

Les instructions présentés sur le couvercle interne / durée de conservation (mois) ne sont appliquées que pour $\leq -18^{\circ}\text{C}$ / congélateur et alimentaire trois-étoiles température de stockage.

Températures de stockage (°C)	
Stockage de denrées alimentaires fraîches	$0 \leq +8$
Denrées hautement périssables	$-3 \leq +3$
Meuble de congélation de denrées alimentaires et "trois étoiles"	≤ -18
Deux étoiles	≤ -12
Une étoile	≤ -6

NOTIFICATION: Arrangements de température moyens d'utilisation pour assurer l'exécution optimale et pour économiser de l'énergie.

Certains modèles peuvent ne pas avoir toutes les fonctions décrites

UTILISATION EFFICACE DE L'APPAREIL

Bouts sur la congélation

Rappelez-vous que vous ne devriez jamais recongeler des produits que vous avez laissé dégelé, même si seulement partiellement. Une fois que dégelée, faites cuire la nourriture, puis mangez (dans un délai de 24 heures) ou vous pouvez les congeler.

Bouts sur l'emballage

Pour le meilleur stockage et dégelé, rappelez-vous de geler de petites parties. Ceci assurera la congélation rapide et uniforme. Ne gelez jamais plus de nourriture que cela permis par la capacité de congélation maximum indiquée du plat de données qui est situé sur le dos du congélateur.

Si disponible, activé la fonction « Super » 24 heures avant la congélation, le voyant jaune **D** doit s'allumer. Veillez que la lumière rouge **B** est éteinte et placez la nourriture à geler dans le congélateur, en s'assurant qu'elle est placée en contact direct avec les murs latéraux du compartiment et pas en contact avec la nourriture qui a déjà été congelée.

Évitez d'ouvrir la porte du congélateur pendant le procédé de congélation. Le placement des quantités substantielles de nourriture fraîche dans l'appareil peut temporairement soulever la température dans le congélateur (la lumière rouge **B** peut s'allumer). Puisque c'est une situation provisoire, il ne compromettra pas le stockage de la nourriture qui a déjà été congelée.

La congélation doit être fini après 24h, vous pouvez alors arrêter la fonction « Super » **E** (si disponible) e changer l'arrangement de la température à une position moyenne.

Dans le cas de la panne ou de la panne de courant, n'ouvrez pas la porte de congélateur. Ceci aidera à maintenir la température à l'intérieur du congélateur, s'assurant que les marchandises sont conservées pendant au moins 20 heures.

N'oubliez pas de changer l'arrangement de la température si vous voulez éviter les gaspillages inutiles d'énergie.

Ne placez pas les pleines bouteilles dans le congélateur parce que les liquides augmentent en volume quand ils gèlent et ceci pourrait faire éclater les bouteilles.

Bouts à l'entreposage

Pour obtenir une bonne conservation des aliments surgelés ou congelés, ne placez jamais le repère du thermostat en dessous de 1, quelle que soit la température ambiante.

Jusqu'à des températures ambiantes de 25°C - 27°C , placez le bouton entre 1 et 2, au-dessus et jusqu'à 32°C , placez-le entre 2 et 3.

Suivez les instructions sur les paquets des aliments surgelés scrupuleusement. Si aucun n'est fourni, ne stockez pas la nourriture pendant plus de 3 mois de la date de l'achat.

En achetant les aliments surgelés, assurez-vous qu'ils ont été stockés à la température appropriée et que le paquet est correctement scellé. En achetant les aliments surgelés, il est le meilleur pour les transporter dans des récipients appropriés pour les garder froid et puis pour les placer dans le congélateur immédiatement. Si le paquet est humide sur l'extérieur ou est

anormalement gonflé, il est probable que le paquet ait été stocké à une température insatisfaisante et la nourriture a détérioré.

Le réglage du thermostat à des valeurs plus chaudes que celles indiquées dans le tableau du chapitre "Utilisation de l'appareil", ou son installation dans des conditions inadaptées, peut compromettre la conservation des aliments.

ÉCONOMIE D'ÉNERGIE

Installez l'appareil correctement

Ceci signifie que l'appareil devrait être installé loin des sources de chaleur ou lumière du soleil directe, dans une salle bien aérée.

Arrangements De Température Corrects

Placez le bouton de la température de congélateur à un des arrangements moyens. Les températures très basses ne consommeront non seulement beaucoup d'énergie, mais ne veulent ni améliorent ni rallongent la durée de stockage de la nourriture.

Fermez les portes

Ouvrez votre appareil seulement si strictement nécessaire - chaque fois vous ouvrez la porte plus d'air froid serez perdus. Afin de reconstituer la température correcte, le moteur devra courir et consommer l'énergie.

Vérifiez les joints de porte

Maintenez les joints propres et flexibles de sorte qu'ils s'adaptent étroitement contre la porte pour s'assurer qu'aucun air froid n'est perdu.

Évitez L'Habillage De Gel

Rappelez-vous d'examiner les côtés du congélateur pour assurer le gel. Quand le gel devient trop épais, dégivrez le congélateur immédiatement (voyez, «**Maintien de l'Appareil** »).

MAINTIEN DE L'APPAREIL

Avant de faire n'importe quel nettoyage, démontez l'appareil de l'électricité (en retirant la prise ou la rotation outre du commutateur général dans votre maison).

Dégivrage

⚠ AVERTISSEMENT: n'endommagez pas le circuit de réfrigération.

C'est une bonne idée d'enlever l'habillage de gel de l'intérieur de l'appareil de temps en temps. Veillez à ne pas employer les objets aigus en métal pour faire pour ceci pourrait avoir en perçant les circuits de réfrigération, endommageant irréparable l'appareil. Utilisez un outil non aigu dans les matière plastique.

Pour dégivrer le congélateur complètement (qui devrait être fait une fois ou deux fois par an), démontez l'appareil de l'alimentation d'énergie et laissez la porte ouverte jusqu'à ce que tout le gel ait fondu. Le congélateur est équipé d'un système pour évacuer l'eau le procédé de dégivrage. Simplement, placez un récipient dans la position indiquée sur les schémas 1 l'ou 2. Pour accélérer dégivrant, un ou plusieurs pots de l'eau chaude peuvent être placés à l'intérieur de l'appareil.

Tout en dégivrant le congélateur, c'est une bonne idée d'envelopper la nourriture prise du congélateur dans plusieurs couches de papier et de la placer dans un endroit frais. Puisque la température des aliments surgelés s'élèvera inévitablement, elle est la meilleure pour les consommer rapidement car sa durée de stockage se sera raccourcie.

Le nettoyage et l'entretien

L'intérieur du congélateur devraient être nettoyés sur une base périodique après qu'elle ait été dégivrée. Employez seulement une solution de l'eau et de bicarbonate pour nettoyer l'appareil. N'employez pas les produits, les détergents ou les savons abrasifs de nettoyage.

Après que l'intérieur ait été nettoyé, rincez bien avec de l'eau propre et séchez soigneusement. Une fois que l'appareil a été nettoyé, allumez l'appareil, après les instructions en **Installation de l'Appareil**.

En changeant l'ampoule de lampe intérieure

Pour changer l'ampoule à l'intérieur des appareils qui sont équipés de l'éclairage interne, enlevez l'ouverture d'ampoule située sur le mur intérieur de la porte en poussant les extrémités de la couverture indiquée sur les schémas 3 l'ou 4. Remplacez l'ampoule ancienne avec un neuf sans plus haut que 15 W.

Quand pas en service

Si l'unité n'est pas employée pendant une longue période (par exemple pendant les vacances d'été), démonter la prise des forces et laisser la porte ouverte pour éviter la formation de moisissure et des odeurs désagréables après exécution du dégivrage et du nettoyage.

DÉPANNAGE

Le feu vert est éteint

Vérifiez si :

- Là la puissance est-elle à l'unité ;
- Le contact «alimentation principal» à la maison est allumé.

La lumière rouge d'alarme est toujours dessus

Vérifiez si :

- La porte est fermée correctement et le joint est-il encore correct ;
- La porte est ouverte trop souvent ;
- Le bouton de la température est sur le bon arrangement ;
- Là trop est de l'habillage de gel.

Le Moteur Fonctionne Constamment

Vérifiez si :

- La porte est fermée correctement et le joint est-il encore correct ;
- La porte est ouverte trop souvent ;
- Dans les surfaces internes il y a trop de glace ;
- Le thermostat est sur le bon arrangement ;
- La température extérieure est trop élevée.

L'Appareil Fait Trop de Bruit

Vérifier se :

Vérifiez si :

- Le congélateur est nivelé;
- L'appareil a été installé entre les coffrets qui vibrent et font le bruit c'est le bruit fait par le réfrigérant, qui se produit même lorsque le compresseur est éteint (ce n'est pas un défaut).

Si, malgré tous ces contrôles, l'appareil ne fonctionne toujours pas et l'inconvénient persiste, faites appel au service après-vente le plus proche de chez vous, communication: type de défaut, le modèle (**Mod.**) et le Numéro de Série de l'appareil (**SN**) situé sur la plaque signalétique située à l'arrière de l'appareil.

Ne jamais faire appel à des techniciens non agréés et refusez toujours des pièces de rechange qui ne sont pas d'origine.

SERVICE CLIENTS

Vous pouvez résoudre vous-même de nombreux problèmes en consultant les informations de dépannage. Si ce n'est pas le cas et que vous ne pouvez pas remédier vous-même aux pannes de l'appareil ou si votre appareil doit être réparé, contactez le service client.

Pour des raisons de sécurité, les réparations de l'appareil ne doivent être effectuées que par du personnel spécialisé formé. La demande de garantie devient caduque si des réparations ou des interventions ont été effectuées par des personnes non autorisées par nous à cet effet ou si nos appareils ont été équipés de pièces détachées, supplémentaires ou accessoires qui n'étaient pas des pièces d'origine et ont ensuite entraîné un défaut.

Les pièces de rechange d'origine fonctionnelles selon la commande d'écoconception correspondante peuvent être obtenues auprès du service client pour une période d'au moins 7 ans, à compter de la date à laquelle votre appareil a été mis sur le marché dans l'Espace économique européen. Pour les demander, il suffit de contacter le service clientèle en indiquant la pièce souhaitée et en fournissant la référence et le numéro de série de l'appareil figurant sur l'étiquette de données située à l'arrière de l'appareil.

Certaines pièces détachées sont réservées au montage par des professionnels accrédités et ne peuvent être vendues à des tiers.

GARANTIE*

La durée minimale de la garantie (garantie constructeur pour les particuliers) dans l'Espace économique européen est de **3 ans** selon les conditions de garantie applicables localement. Cette période de garantie est valide pour les applications domestiques et similaires.

Les réparateurs professionnels peuvent demander une accréditation en contactant le fabricant ou le revendeur, en consultant les données indiquées sur l'étiquette de données, située à l'arrière de l'appareil. Après l'enregistrement et la preuve des informations d'identification, toute la documentation technique pertinente sera fournie. Il peut y avoir un coût associé à ce processus.

La garantie ne s'appliquera pas en cas de:

- Tout type d'abus ou de dommage, lorsqu'il y a manipulation ou altération de deux données sur l'étiquette de caractéristiques ou il est intervenu par une personne technique non autorisée ou appartenant au service technique officiel de la marque.

Oxydation présente ou dommages dus à la corrosion des surfaces métalliques ou des peintures, résultant de l'utilisation de produits chimiques ou d'une mauvaise utilisation.

- L'usure normale

- Utilisation incorrecte, telle que surcharge de l'appareil, utilisation d'accessoires non approuvés, mauvais placement ou stockage, mauvaise connexion ou installation

- Utilisation de la force, dommages causés par des influences extérieures

- Dommages causés par le non-respect du manuel d'utilisation ou un mauvais traitement ou fonctionnement, une connexion à une alimentation secteur inadaptée ou le non-respect des instructions d'installation

- Appareils partiellement ou complètement démontés.

Des informations détaillées sur la période de garantie et les conditions de garantie dans votre pays sont disponibles auprès du service clientèle ou de votre revendeur.

* S'applique uniquement aux pays de l'Espace économique européen. Pour les pays en dehors de l'UE, veuillez vérifier localement (magasin local où votre achat a été effectué) si et comment la garantie s'applique.

DONNÉES TECHNIQUES

Les informations techniques se trouvent sur la plaque signalétique à l'arrière de l'appareil et sur l'étiquette énergétique ¹.

Le code QR ¹ sur l'étiquette énergétique fournie avec l'appareil fournit un lien Web vers des informations relatives aux performances de l'appareil dans la base de données EPREL de l'UE ¹.

Pour trouver les données produit dans la base de données européenne (EPREL) ¹, il suffit de lire le code QR en haut à droite de l'étiquette énergétique fournie avec l'appareil et le lien vers l'application s'ouvrira.

Conservez l'étiquette énergétique ¹ pour référence avec le manuel d'utilisation et tous les autres documents fournis avec cet appareil.

Vous pouvez trouver des informations supplémentaires en utilisant le lien <https://eprel.ec.europa.eu>¹.

¹ S'applique uniquement aux pays de l'Espace économique européen



RESUMEN

SEGURIDAD	19	CONSEJOS PARA AHORRAR	22
INSTALACIÓN	20	MANTENER EN BUENAS CONDICIONES	22
EL APARATO	20	CONTROLES ANTE UN PROBLEMA	22
INSTALACIÓN DEL APARATO	21	SERVICIO AL CLIENTE	23
UTILIZACIÓN EFICIENTE DEL APARATO	21	DATOS TÉCNICOS	23

SEGURIDAD

⚠ ATENCIÓN

Lea atentamente este manual, ya que asegura la correcta instalación, uso y mantenimiento de su máquina.

Su refrigerador se ha desarrollado de acuerdo con los estándares europeos en la Directiva sobre baja tensión (2014/35/UE) y la Directiva de Compatibilidad Electromagnética (2014/30/UE).

- Conserve este manual con el fin de consultar con él en cualquier momento.
- El fabricante se reserva el derecho de modificar las características de los modelos sin previo aviso.
- Algunos modelos pueden no tener todos los accesorios mencionados.

Advertencia: Este aparato debe estar conectado a tierra.

1. Este dispositivo no debe instalarse al aire libre, incluso si la zona está protegida por una cubierta.

Es muy peligroso dejarlo expuesto a la lluvia y el clima.

2. Este aparato no está destinado para ser usado por personas (incluidos niños) cuyas capacidades físicas, sensoriales o mentales estén reducidas, o carezcan de experiencia o conocimiento, salvo si han tenido supervisión o instrucciones relativas al uso del aparato por una persona responsable de su seguridad. Los niños deberían ser supervisados para asegurar que no juegan con el aparato.

3. Nunca toque ni manipule el aparato con los pies descalzos, las manos o los pies mojados.

4. No es recomendable utilizar extensiones o enchufes múltiples. Si el refrigerador está instalado entre muebles, compruebe el

cable de alimentación no está doblado o presionado peligrosamente.

5. No tire nunca del cable o del refrigerador para liberarla de la toma de corriente, es muy peligroso.

6. No toque los componentes internos de refrigeración, sobre todo con las manos mojadas puede sufrir quemaduras o lesiones. Por la misma razón tampoco se debe poner cubitos de hielo en la boca acaba de sacar del congelador.

7. No limpiar o realizar operaciones de mantenimiento antes de desenchufar el aparato de la toma de corriente. No es suficiente poner el selector de temperatura en la posición de apagado para eliminar todos los riesgos eléctricos.

8. Antes de deshacerse de su viejo aparato, retire el bloqueo para evitar que los niños que juegan se puede bloquear en su interior.

9. En caso de fallo, lea el capítulo "Solución de problemas" para ver si puede resolver el posible fracaso. No trate de hacer la reparación, tocando las piezas internas del dispositivo.

10. Si el cable de alimentación está dañado, debe ser sustituido por el fabricante, o por su servicio postventa o personal similar cualificado con el fin de evitar un peligro.

11. No utilice aparatos eléctricos en el interior del frigorífico, excepto los recomendados por el fabricante.

12. No utilice dispositivos mecánicos para acelerar el proceso de descongelación que no sean los recomendados por el fabricante.

13. No almacene este aparato sustancias explosivas, tales como los aerosoles con propelentes inflamables.

14. Este aparato es para uso en aplica-

ciones domésticas y similares tales como:

- Cocinas reservadas para personal de tiendas, oficinas y otros ambientes profesionales;
- Casas de granja y uso por clientes en hoteles, moteles y otros entornos residenciales;
- Entornos tipo habitación de hotel;
- Restauración y otras aplicaciones similares, excepto venta por menor.

15. Al final de la vida del producto - que contiene gases inflamables, tales como ciclopentano en la espuma aislante y posiblemente R600a (isobutano) en el sistema de refrigeración, es necesario promover la eliminación de acuerdo con la legislación.

Los consumidores deben comunicarse con las autoridades locales o puntos de venta, para solicitar información con respecto a su entrega para reciclaje.

16. No dañe el circuito refrigerante.

17. Mantenga las aperturas de ventilación del aparato o estructura de encastre limpias e libres de obstrucciones.

INSTALACIÓN

Para garantizar el buen funcionamiento y un menor consumo de energía, es importante realizar la instalación correctamente.

Ventilación

El compresor y el condensador emiten calor, por lo tanto, necesitan una buena ventilación. Ambientes con poca ventilación no son adecuados. El aparato debe ser instalado en una habitación equipada con una abertura de una ventana o una puerta al exterior para garantizar la renovación de aire. El medio ambiente no debe ser demasiado húmedo. Compruebe que las aberturas o rejillas que permiten la ventilación de la unidad no están bloqueadas o cubiertas.

Para garantizar el buen funcionamiento debe dejar una distancia mínima de 10 cm entre los lados y las paredes de fondo o los muebles.

Lejos del calor

Evite colocar la unidad en un lugar expuesto a la luz directa del sol, al lado de una estufa o una fuente de calor.

Cableado y conexión a tierra

Usted no debe poner en funcionamiento el equipo inmediatamente después del transporte. Dos horas es tiempo suficiente para que el retorno del aceite del motor-compresora su situación normal.

Antes de enchufarlo compruebe que el voltaje indicado

en la placa de características corresponde a la tensión de la instalación eléctrica en el hogar, si la toma posea la conexión a tierra y que sea conforme a la ley. No utilice enchufes o adaptadores. Una vez instalado el aparato, el cable eléctrico y la toma de corriente deben ser fácilmente accesibles.

El fabricante declina toda responsabilidad en los casos en que no hayan sido respetadas estas normas.

Potencia eléctrica

La toma eléctrica debe soportar la potencia máxima, indicada en la placa ubicada en la trasera del congelador.

EL APARATO

A - Perilla del juste de la temperatura

Dando vuelta a la perilla de **Min** (1) a **Max** (4/5) permite ajustar la temperatura dentro del congelador.

B - Indicador de amonestadora (luz roja)

Cuando este piloto rojo se adelanta por un período de tiempo prolongado, significa que el congelador no está funcionando correctamente y la temperatura es demasiado alta. Este piloto puede adelantarse por un breve período en que la puerta se deja abierta por un período de tiempo extendido (cuando se está cargando o se está descargando el congelador).

C - Indicador de la fuente de alimentación (luz verde)

La luz verde se adelantará y permanecerá encendido mientras que la aplicación está conectada y está funcionando normalmente.

D - Indicador de helada rápida / Indicador de funcionamiento del compresor (luz amarilla) *

Esta luz de indicador amarilla se adelantará cuando se presiona el interruptor de congelación **E** (si existe). Los modelos sin función "Super", esta luz (si está presente) indica que el compresor está funcionando.

E - Interruptor de congelación *

El botón de empuje "Super", permite que el compresor funcione continuamente para alcanzar las temperaturas necesarias para el congelar rápido del alimento fresco. Cuando el botón de empuje no es presionado, el congelador está funcionando según la regulación del termóstato.

F - Luz interna*

G - Sistema de dren del agua de descongelación *

H - Cesta *

I - Parrilla que ventila

J - Ruedas o pies de apoyo (dependiendo del modelo)

* - No presente en todos los modelos

Este aparato de refrigeración no está diseñado para ser utilizado como un aparato integrado. Debe instalarse respetando las condiciones contenidas en el manual de instrucciones.

Este aparato debe instalarse en un lugar compatible con su clase climática que se declara en la etiqueta de

datos ubicada en la parte posterior del aparato:

Símbolo	Clase climática	Temperatura ambiente mínima	Temperatura ambiente máxima
SN	Templada extendida	+10°C	+32°C
N	Templada	+16°C	+32°C
ST	Subtropical	+16°C	+38°C
T	Tropical	+16°C	+43°C

INSTALACIÓN DEL APARATO

Antes de conectar el aparato, siga las instrucciones de instalación (lea "Seguridad" e "Instalación").

Una vez que la aplicación haya estado conectada con la fuente de energía, la C verde y las luces rojas de B se girarán.

Empuje el interruptor rápido E (si existe) de la helada al ajuste "Super" (la luz amarilla de D se girará).

Cuando la luz roja de B da vuelta apagado, cambie el ajuste empujando el interruptor de E al ajuste sin presionar (si existe, la luz amarilla de D se apaga). y cambie el ajuste girando la perilla de ajuste de temperatura A, a una posición media. A este punto el congelador puede ser utilizado.

El termostato se debe ajustar para los diferentes tipos de uso, como se muestra en la tabla anterior.

Las Instrucciones presentados en la tapa interna / período de conservación (meses) sólo son aplicables para $\leq -18^{\circ}\text{C}$ / alimentos congelados y temperatura de almacenamiento de tres-estrellas.

Temperaturas de conservación ($^{\circ}\text{C}$)	
Conservación de alimentos frescos	$0 \leq +8$
Helador	$-3 \leq +3$
Congelador de alimentos y de tres estrellas	≤ -18
Dos estrellas	≤ -12
Una estrella	≤ -6

AVISO: Utilice ajustes de temperatura medios para asegurar funcionamiento óptimo y para ahorrar energía.

Algunos modelos pueden no tener todas las características descritas.

UTILIZACIÓN EFICIENTE DEL APARATO

Consejos de congelación

Recuerde que usted nunca debe volver a congelar los productos que tengan deshelado, incluso si solamente parcialmente. Una vez que esté deshelado, cocine el alimento, después coma (en el plazo de 24 horas) o lo congelar.

Consejos de Empaquetado

Para el mejor almacenaje y deshelar, recuerde de congelar porciones pequeñas. Esto asegurará uno congelar rápido y uniforme.

Marque el paquete con una descripción del contenido y la fecha que fue congelado. Nunca congele más alimento que la permitida por la capacidad máxima indicada en la placa de los datos que está situada en la parte posterior del congelador.

Para congelar el alimento, cerciórese de que la luz roja está apagada. Entonces coloque el alimento que se congelará en el congelador, cerciorándose de que está colocado en contacto directo con las paredes laterales del congelador y no en contacto con el alimento que ha sido ya congelado. El almacenaje apropiado depende de la velocidad a la cual se congela el alimento. Por esta razón, recomendamos que el interruptor se debe dar vuelta al ajuste "Super" E (si existe), 24 horas antes de colocar el alimento a ser congelado dentro del congelador.

Evite de abrir la puerta del congelador durante el proceso de congelación. La colocación de cantidades substanciales de alimento fresco en la aplicación puede levantar temporalmente la temperatura dentro del congelador (la luz roja puede girarse). Puesto que esto es una situación temporal, no comprometerá el almacenaje del alimento que ha sido ya congelado. Atención: No se olvide de cambiar el ajuste de la temperatura si usted desea evitar pérdidas inútiles de energía. En el caso del apagón o de la interrupción, no abra la puerta del congelador. Esto ayudará a mantener la temperatura dentro del congelador, asegurándose de que las mercancías están conservadas por lo menos 20 horas. No coloque las botellas llenas en el congelador porque los líquidos aumentan de volumen cuando congelan y éste podría hacer las botellas estallar.

Consejos de almacenaje

Para el mejor almacenaje de alimentos fresco congelados y congelados, no fije la perilla del termostato debajo del Min, sin importar la temperatura ambiente del cuarto en donde el congelador está instalado. Para las temperaturas ambiente hasta de 25°C - 27°C , la perilla del termostato se debe fijar entre 1 y 2, mientras que para las temperaturas hasta 32°C el ajuste debe estar entre 2 y 3.

Siga las instrucciones en los paquetes de alimentos congelados escrupulosamente. Si no se proporciona ningunos, no almacene el alimento por más de 3 meses a partir de la fecha de la compra. Al comprar el alimento congelado, cerciórese de que se han almacenado en la temperatura apropiada y que el paquete está sellado correctamente.

Al comprar los alimentos congelados, es el mejor transportarlos en envases apropiados para guardarlos fríos y después para colocarlos en el congelador inmediatamente. Si el paquete es húmedo en el exterior o se hincha anormalmente, es probable que el paquete sea almacenado en una temperatura inadecuada y el alimento ha deteriorado.

Ajustar el termostato a valores más cálidos que los indicados en la tabla del capítulo "Uso del aparato", o instalarlo en condiciones no adecuadas, puede comprometer la conservación de los alimentos.

CONSEJOS PARA AHORRAR

Instálelo bien

O sea, lejos de fuentes de calor, de la luz directa del sol y en un ambiente bien aireado

El frío justo

Ajuste el botón para la regulación de la temperatura del congelador en una posición media. Demasiado frío, además de consumir mucho, no mejora ni prolonga la conservación de los alimentos.

La puerta cerrada

Abra su congelador lo menos posible porque cada vez que lo haga estará dejando escapar gran parte del aire frío. Para restablecer la temperatura, el motor debe trabajar más tiempo consumiendo mucha energía.

Cuidado con la junta

Manténgala elástica y limpia de modo que se adhiera bien a las puertas; sólo así no dejará salir nada de frío.

Nada de escarcha

Controle el espesor de la escarcha al interior del congelador y efectúe inmediatamente la descongelación si la capa es demasiado espesa (Ver más adelante "Mantener en buenas condiciones").

MANTENER EN BUENAS CONDICIONES

Antes de limpiar el refrigerador, desconectarlo de la red de alimentación eléctrica (desenchufando la clavija o el interruptor general del departamento).

Descongelación

 **ATENCIÓN: no dañe el circuito refrigerante.**

Es conveniente, de vez en cuando, extraer la escarcha que cubre las paredes del aparato.

No usar nunca, para dicha operación, objetos metálicos con punta que puedan provocar perforaciones en el circuito refrigerante con el consiguiente daño irreparable al aparato. Use un utensilio no afilado en plástico.

Para obtener una descongelación completa del aparato (que se debe efectuar una o dos veces en el año) desconectar el aparato de la red de alimentación y dejar abierta la puerta hasta que se derrita completamente la escarcha.

El aparato está dotado de un sistema de recolección del agua de descongelación; ubicar un recipiente como se indica en las figuras 1 o 2. Para acelerar las operaciones de descongelación se pueden introducir dentro del aparato una o más bandejas de agua tibia.

Durante la operación de descongelación es conveniente envolver los alimentos que se están conservando con hojas de papel y colocarlos en lugares frescos. Debido a que el inevitable aumento de temperatura disminuye su duración se aconseja consumirlos en breve tiempo.

Limpieza y cuidados particulares

La limpieza interna del aparato se debe efectuar periódicamente después de haber descongelado el aparato utilizando bicarbonato de sodio disuelto en

agua tibia.

Evite siempre el uso de productos abrasivos, detergentes o jabones; después del lavado enjuagar con agua limpia y secar con cuidado.

Una vez efectuadas dichas operaciones, poner nuevamente en funcionamiento el aparato como se describe en el párrafo "Instalación".

Sustitución de lámpara

Para sustituir la lámpara de iluminación interna (en los modelos que la poseen) debe sacar la cobertura de la lámpara colocada en la contrapuerta presionando la lateralmente como se indica en las figuras 3 o 4. La Lámpara deberá tener una potencia no superior a 15W.

Inactividad prolongada del aparato

En los casos en que el aparato no sea utilizado durante largos periodos (por ejemplo, durante las vacaciones), es aconsejable desconectarlo y dejar la puerta abierta para evitar la formación de malos olores o mohos.

CONTROLES ANTE UN PROBLEMA

Lámpara testigo verde apagada

Controle que:

- No falte la corriente;
- El interruptor general de la casa esté bien conectado;

Lámpara de alarma roja siempre encendida

Controle que:

- La puerta cierre bien o que la junta no esté deteriorada;
- La puerta no se abra muy a menudo;
- El botón de regulación de la temperatura esté en la posición correcta;
- En las paredes internas la escarcha no sea excesiva.

El motor funciona continuamente

Controle que:

- La puerta cierre bien o que la junta no esté deteriorada;
- La puerta no se abra muy a menudo;
- En las superficies interiores hay demasiado hielo;
- El botón de regulación de la temperatura esté en la posición correcta;
- El termostato esté en la posición correcta;
- En la temperatura ambiente exterior es muy alta.

El aparato emite demasiado ruido

Controle que:

- El congelador esté ubicado en un lugar bien plano;
- No haya sido instalado entre muebles u objetos que vibran y producen ruidos;
- El gas refrigerante interno produce un pequeño ruido aun cuando el compresor está detenido (no es un defecto).

Si, a pesar de todos los controles, la unidad no funcionará correctamente, llame al Centro de Servicio más cercano, comunicando la siguiente información: el tipo de fallo, la sigla del modelo (**Mod.**) y el Número de Serie correspondiente (**SN**) colocado en la placa en el trasera del aparato.

No recurra a técnicos no autorizados y rechace siempre la instalación de repuestos que no sean originales.

SERVICIO AL CLIENTE

Puede resolver muchos problemas usted mismo, consultando la información "Resolución de problemas". Si este no es el caso y no puede corregir las fallas del electrodoméstico usted mismo o si su electrodoméstico necesita ser reparado, comuníquese con el Servicio de atención al cliente. Por razones de seguridad, las reparaciones del aparato solo deben ser realizadas por personal especializado capacitado. La reclamación de garantía quedará anulada si las reparaciones o intervenciones han sido realizadas por personas no autorizadas por nosotros para tal fin o si nuestros aparatos han sido equipados con piezas de repuesto, complementarias o accesorias que no eran piezas originales y luego resultaron en un defecto.

Los repuestos originales relevantes para la función de acuerdo con el correspondiente reglamento ecodesign se pueden obtener del Servicio de atención al cliente por un período no inferior a 7 años, a partir de la fecha en que su aparato se comercializó, dentro del Espacio Económico Europeo. Para solicitarlos simplemente contacte con el Servicio de Atención al Cliente indicando la pieza deseada y proporcionando la referencia y número de serie del aparato encontrado en la etiqueta de datos ubicada en la parte posterior del aparato. Algunas piezas de repuesto están reservadas para el montaje por profesionales acreditados y no pueden venderse a terceros.

GARANTÍA*

La duración mínima de la garantía (garantía del fabricante para consumidores privados) en el Espacio Económico Europeo es de **3 años**, según los términos de garantía aplicables a la ubicación.

Puede obtener información detallada sobre el período de garantía y los términos de la garantía en su país, en el Servicio de atención al cliente o en su distribuidor.

Los reparadores profesionales pueden solicitar la acreditación contactando el fabricante o su representante, consultando los datos indicados en la etiqueta de datos ubicada en la parte posterior del aparato.

Después del registro y prueba de las credenciales, se proporcionará toda la documentación técnica relevante. Puede haber un coste asociado a este proceso.

La garantía no se aplicará en caso de:

- Cualquier clase de avería o daño cuando se haya producido manipulación en los datos de la placa de matrícula o si el aparato ha sido intervenido por personal técnico no autorizado o no perteneciente al Servicio Técnico Oficial de la marca.
- Presenten oxidación, o daños por corrosión en esmaltes o pinturas, resultantes de utilización de productos químicos o uso indebido.
- Uso y desgaste normal;
- Uso incorrecto, como sobrecarga del aparato, uso de accesorios no aprobados, colocación o almacenamiento incorrectos, conexión o instalación incorrecta;
- Uso de fuerza, daño causado por influencias externas;
- Daños provocados por la no observación del manual de usuario o por un tratamiento u operación incorrec-

tos, conexión a una red de alimentación inadecuada o incumplimiento de las instrucciones de instalación;

- Aparatos parcial o totalmente desmontados;

Puede obtener información detallada sobre el período de garantía y los términos de la garantía en su país en el Servicio de atención al cliente o en su distribuidor.

* Solo se aplica a países del Espacio Económico Europeo. Para países fuera de la UE, verifique localmente (tienda local donde se realizó su compra) si se aplica la garantía y cómo se aplica.

DATOS TÉCNICOS

La información técnica se puede encontrar en la etiqueta de datos técnicos en la parte posterior del aparato y en la etiqueta de datos energéticos¹.

El código QR¹ de la etiqueta energética, suministrado con el aparato, proporciona un enlace web a información relacionada con el rendimiento del aparato en la base de datos EU EPREL¹.

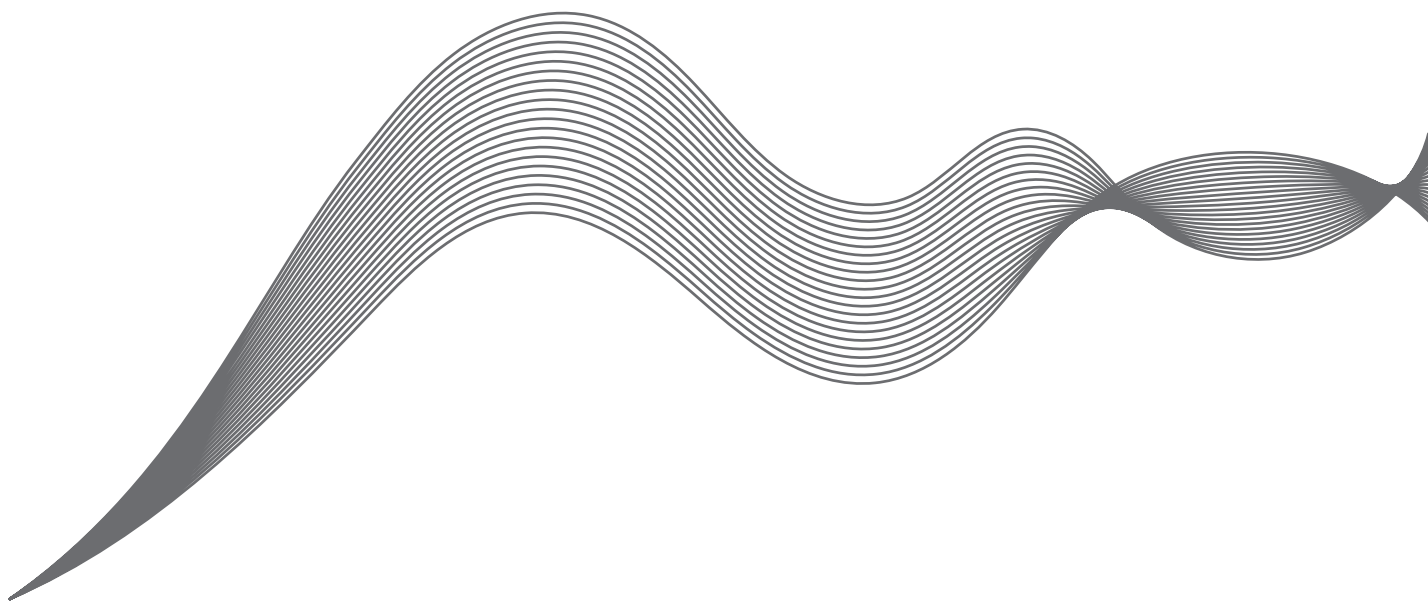
Para encontrar los datos del producto en la base de datos europea (EPREL)¹, simplemente lea el código QR en la parte superior derecha de la etiqueta energética¹, que se proporciona con el aparato, y se abrirá el enlace a la aplicación.

Conserve la etiqueta energética¹ como referencia junto con el manual del usuario y todos los demás documentos proporcionados con este aparato.

Puede encontrar información adicional en EPREL utilizando el enlace <https://eprel.ec.europa.eu>¹.

¹ Solo se aplica a países del Espacio Económico Europeo.

edesa



CNA group
Oficinas: c/ Anabel Segura, 11, Edif. A, 3a pl. 28108. Alcobendas. Madrid. España
Fábrica: c/ del Ter 2, Apdo. 9. 08570. Torelló. Barcelona. España
www.edesa.com

MPPAPMAN2004103