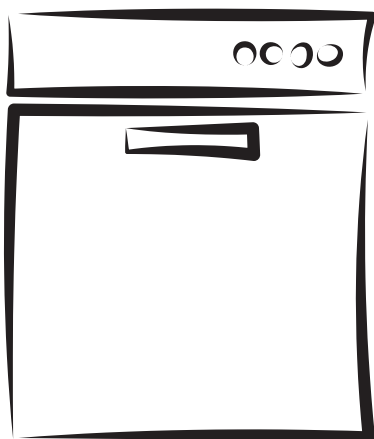
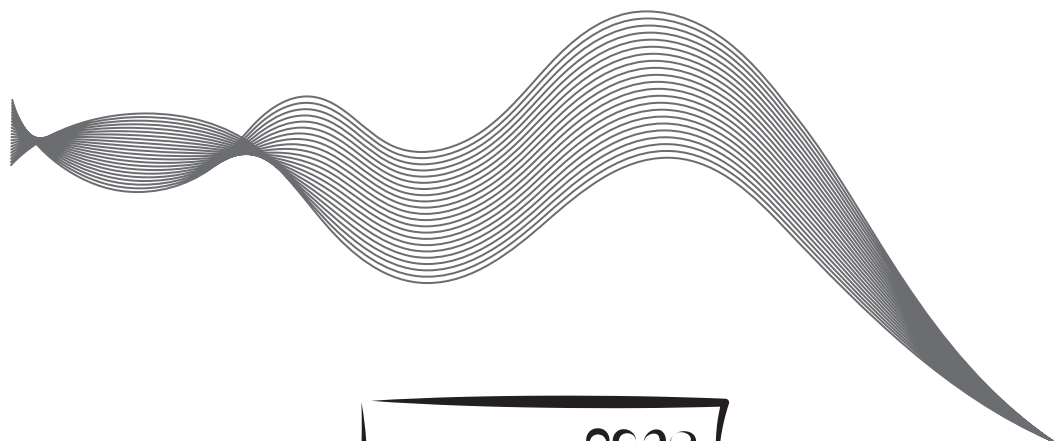


edesa



www.edesa.es



EDW-6120 WH

EN Instruction manual

ES Manual de instrucciones

CONTENTS

01	03	SAFETY INFORMATION
02	08	PRODUCT OVERVIEW
03	09	USING YOUR DISHWASHER
	09	Loading The Salt Into The Softener
	11	Basket Used Tips
04	12	MAINTENANCE AND CLEANING
	12	External Care
	12	Internal Care
	15	Caring For The Dishwasher
05	16	INSTALLATION INSTRUCTION
	16	About Power Connection
	17	Water Supply And Drain
	18	Connection Of Drain Hoses
	19	Position The Appliance
	19	Free Standing Installation
	20	Built-In Installation(for the integrated model)
06	25	TROUBLESHOOTING TIPS
07	29	LOADING THE BASKETS ACCORDING

NOTE:

- Reviewing the section on troubleshooting Tips will help you solve some common problems by yourself.
- If you cannot solve the problems by yourself, please ask for help from a professional technician.
- The manufacturer, following a policy of constant development and updating of the product, may make modifications without giving prior notice.
- If lost or out-of-date, you can receive a new user manual from the manufacturer or responsible vendor.

SAFETY INFORMATION

⚠ WARNING

When using your dishwasher, follow the precautions listed below:

- Installation and repair can only be carried out by a qualified technician
- This appliance is intended to be used in household and similar applications such as:
 - staff kitchen areas in shops, offices and other working environments;
 - farm houses;
 - by clients in hotels, motels and other residential type environments;
 - bed and breakfast type environments.
- This appliance can be used by children aged from 8 years and above and persons with reduced physical, sensory or mental capabilities or lack of experience and knowledge if they have been given supervision or instruction concerning use of the appliance in a safe way and understand the hazards involved.
- Children shall not play with the appliance. Cleaning and user maintenance shall not be done by children without supervision. (For EN60335-1)
This appliance is not intended for use by persons (including children) with reduced physical, sensory or

mental capabilities, or lack of experience and knowledge, unless they have been given supervision or instruction concerning use of the appliance by a person responsible for their safety. (For IEC60335-1)

- Packaging material could be dangerous for children!
- This appliance is for indoor household use only.
To protect against the risk of electrical shock, do not immerse the unit, cord or plug in water or other liquid.
- Please unplug before cleaning and performing maintenance on the appliance.
- Use a soft cloth moistened with mild soap, and then use a dry cloth to wipe it again.



Earthing Instructions

- This appliance must be earthed. In the event of a malfunction or breakdown, earthing will reduce the risk of an electric shock by providing a path of least resistance of electric current. This appliance is equipped with an earthing conductor plug.
- The plug must be plugged into an appropriate outlet that is installed and earthed in accordance with all local codes and ordinances.
- Improper connection of the equipment-earthing conductor can result in the risk of an electric shock.
- Check with a qualified electrician or service representative if you are in doubt whether the appliance is properly grounded.

- Do not modify the plug provided with the appliance; If it does not fit the outlet.
- Have a proper outlet installed by a qualified electrician.
- Do not abuse, sit on, or stand on the door or dish rack of the dishwasher.
- Do not operate your dishwasher unless all enclosure panels are properly in place.
- Open the door very carefully if the dishwasher is operating, there is a risk of water squirting out.
- Do not place any heavy objects on or stand on the door when it is open. The appliance could tip forward.
- When loading items to be washed:
 - 1) Locate sharp items so that they are not likely to damage the door seal;
 - 2) Warning: Knives and other utensils with sharp points must be loaded in the basket with their points facing down or placed in a horizontal position.
- Some dishwasher detergents are strongly alkaline. They can be extremely dangerous if swallowed. Avoid contact with the skin and eyes and keep children away from the dishwasher when the door is open.
- Check that the detergent powder is empty after completion of the wash cycle.

- Do not wash plastic items unless they are marked “dishwasher safe” or the equivalent.
- For unmarked plastic items not so marked, check the manufacturer's recommendations.
- Use only detergent and rinse agents recommended for use in an automatic dishwasher.
- Never use soap, laundry detergent, or hand washing detergent in your dishwasher.
- The door should not be left open, since this could increase the risk of tripping.
If the supply cord is damaged, it must be replaced by the manufacturer or its service agent or a similarly qualified person in order to avoid a hazard.
- During installation, the power supply must not be excessively or dangerously bent or flattened.
- Do not tamper with controls.
- The appliance needs to be connected to the main water valve using new hose sets. Old sets should not be reused.
- To save energy, in stand by mode, the appliance will switch off automatically while there is no any operation in 15 minutes.
- The maximum number of place settings to be washed is 12.
- The maximum permissible inlet water pressure is 1MPa.
- The minimum permissible inlet water pressure is 0.04MPa.

Disposal

- For disposing of package and the appliance please go to a recycling center. Therefore cut off the power supply cable and make the door closing device unusable.

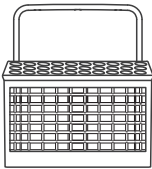
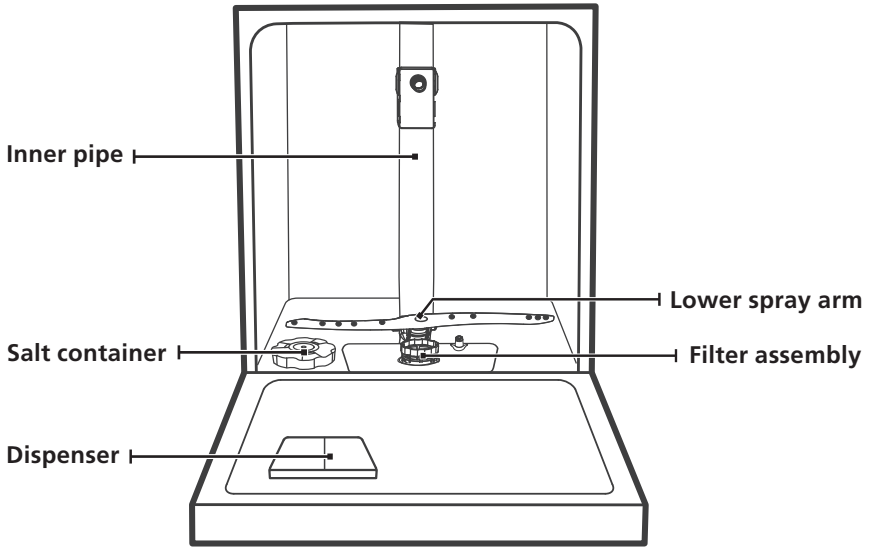


- Cardboard packaging is manufactured from recycled paper and should be disposed in the waste paper collection for recycling.
- By ensuring this product is disposed of correctly, you will help prevent potential negative consequences for the environment and human health, which could otherwise be caused by inappropriate waste handling of this product.
- For more detailed information about recycling of this product, please contact your local city office and your household waste disposal service.
- **DISPOSAL: Do not dispose this product as unsorted municipal waste. Collection of such waste separately for special treatment is necessary.**

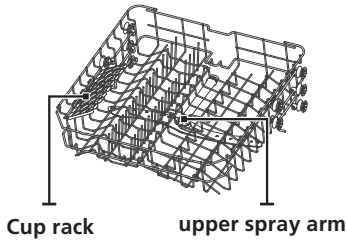
PRODUCT OVERVIEW

❗ IMPORTANT:

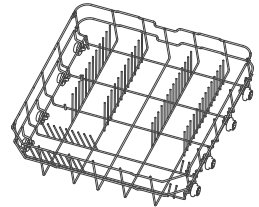
To get the best performance from your dishwasher, read all operating instructions before using it for the first time.



Cutlery basket



Upper basket



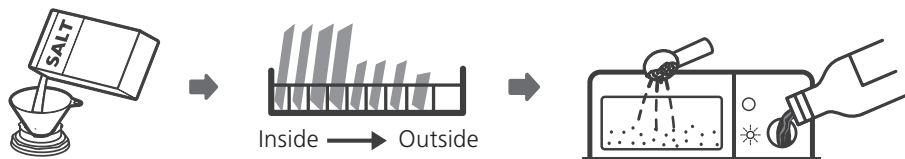
Lower basket

💡 NOTE:

Pictures are only for reference, different models may be different. Please prevail in kind.

USING YOUR DISHWASHER

Before using your dishwasher :



1. Set the water softener
2. Loading the salt Into the softener
3. Loading the basket
4. Fill the dispenser



Please check the section 1 “Water Softener” of PART II : Special Version, if you need to set the water softener .

Loading The Salt Into The Softener

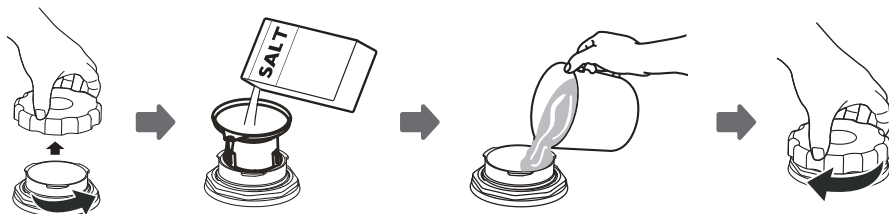
NOTE:

If your model does not have any water softener, you may skip this section. Always use salt intended for dishwasher use. The salt container is located beneath the lower basket and should be filled as explained in the following:

WARNING


- **Only use salt specifically designed for dishwashers use!**
Every other type of salt not specifically designed for dishwasher use, especially table salt, will damage the water softener. In case of damages caused by the use of unsuitable salt the manufacturer does not give any warranty nor is liable for any damages caused.
- **Only fill with salt before running a cycle.**
This will prevent any grains of salt or salty water, which may have been spilled, remaining on the bottom of the machine for any period of time, which may cause corrosion.

Please follow the steps below for adding dishwasher salt:



1. Remove the lower basket and unscrew the reservoir cap.
2. Place the end of the funnel (supplied) into the hole and pour in about 1.5kg of dishwasher salt.
3. Fill the salt container to its maximum limit with water, It is normal for a small amount of water to come out of the salt container.
4. After filling the container, screw back the cap tightly.
5. The salt warning light will stop being after the salt container has been filled with salt.
6. Immediately after filling the salt into the salt container, a washing program should be started (We suggest to use a short program). Otherwise the filter system, pump or other important parts of the machine may be damaged by salty water. This is out of warranty.

NOTE:

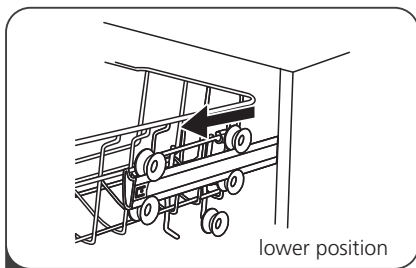
- The salt container must only be refilled when the salt warning light () in the control panel comes on. Depending on how well the salt dissolves, the salt warning light may still be on even though the salt container is filled. If there is no salt warning light in the control panel (for some Models), you can estimate when to fill the salt into the softener by the cycles that the dishwasher has run.
- If salt has spilled, run a soak or quick program to remove it.

Basket Used Tips

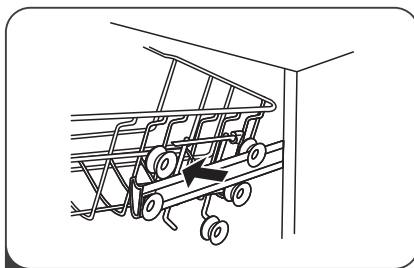
Adjusting the upper basket

The height of the upper basket can be easily adjusted to accommodate taller dishes in either the upper or lower basket.

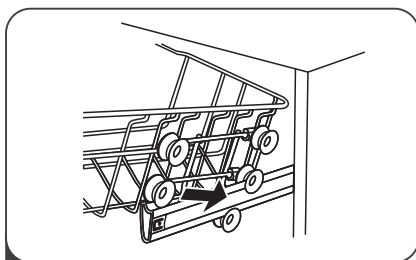
To adjust the height of the upper rack, follow these steps:



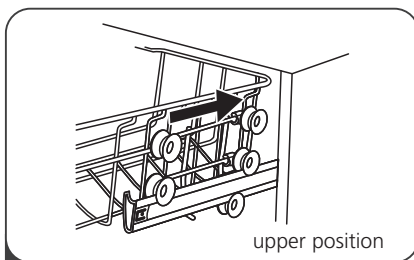
1 Pull out the upper basket.



2 Remove the upper basket.



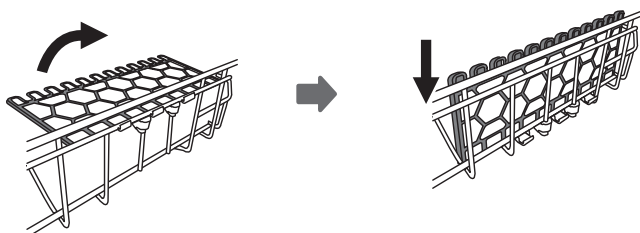
3 Re-attach the upper basket to upper or lower rollers.



4 Push in the upper basket.

Folding back the cup shelves

To make room for taller items in the upper basket, raise the cup rack upwards. You can then lean the tall glasses against it. You can also remove it when it is not required for use.



MAINTENANCE AND CLEANING

External Care

The door and the door seal

Clean the door seals regularly with a soft damp cloth to remove food deposits. When the dishwasher is being loaded, food and drink residues may drip onto the sides of the dishwasher door. These surfaces are outside the wash cabinet and are not accessed by water from the spray arms. Any deposits should be wiped off before the door is closed.

The control panel

If cleaning is required, the control panel should be wiped with a soft damp cloth only.

WARNING

- To avoid penetration of water into the door lock and electrical components, do not use a spray cleaner of any kind.
- Never use abrasive cleaners or scouring pads on the outer surfaces because they may scratch the finish. Some paper towels may also scratch or leave marks on the surface.

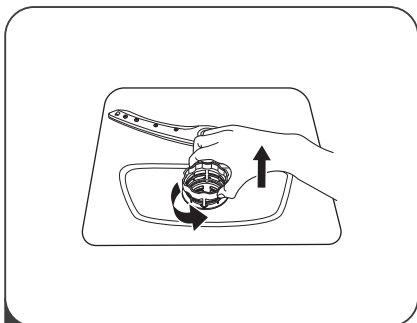
Internal Care

Filtering system

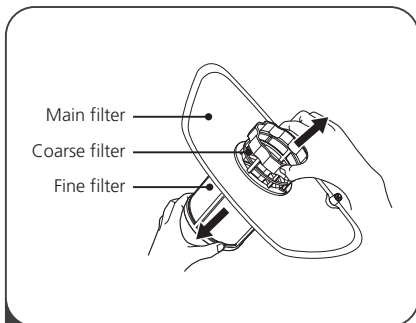
The filtering system in the base of the wash cabinet retains coarse debris from the washing cycle. The collected coarse debris may cause the filters to clog. Check the condition of the filters regularly and clean them if necessary under running water. Follow the steps below to clean the filters in the wash cabinet.

NOTE:

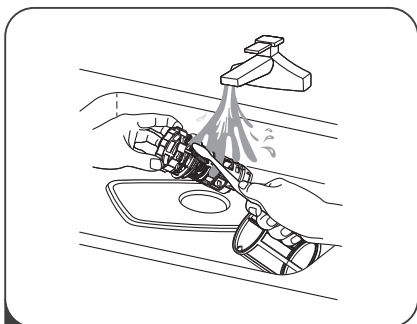
Pictures are only for reference, different models of the filtering system and spray arms may be different.



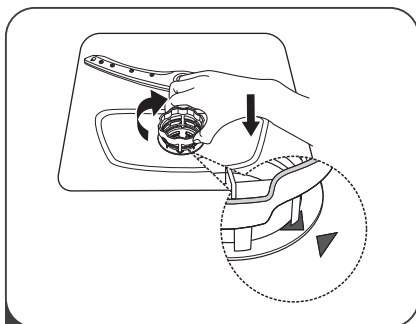
- 1** Hold the coarse filter and rotate it anticlockwise to unlock the filter. Lift the filter upwards and out of the dishwasher.



- 2** The fine filter can be pulled off the bottom of the filter assembly. The coarse filter can be detached from the main filter by gently squeezing the tabs at the top and pulling it away.



- 3** Larger food remnants can be cleaned by rinsing the filter under running water. For a more thorough clean, use a soft cleaning brush.



- 4** Reassemble the filters in the reverse order of the disassembly, replace the filter insert, and rotate clockwise to the close arrow.

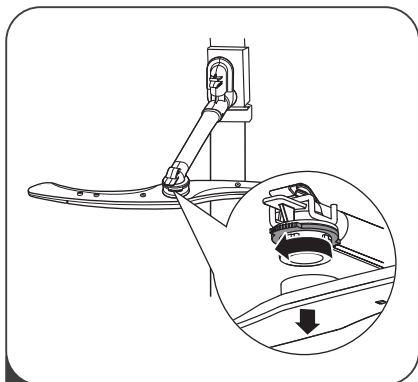
⚠ WARNING

- Do not over tighten the filters. Put the filters back in sequence securely, otherwise coarse debris could get into the system and cause a blockage.
- Never use the dishwasher without filters in place. Improper replacement of the filter may reduce the performance level of the appliance and damage dishes and utensils.

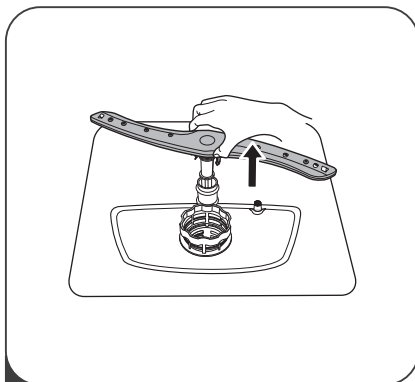
Spray arms

It is necessary to clean the spray arms regularly for hard water chemicals will clog the spray arm jets and bearings.

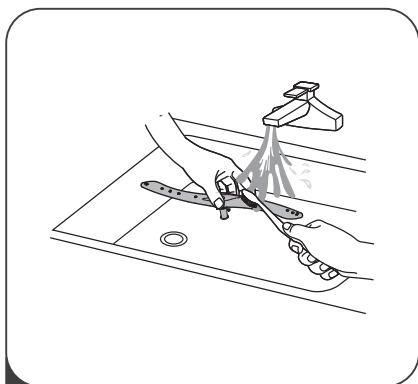
To clean the spray arms, follow the instructions below:



- 1** To remove the upper spray arm, hold the nut, rotate the arm clockwise to remove it.



- 2** To remove the lower spray arm, pull out the spray arm upward.



- 3** Wash the arms in soapy and warm water and use a soft brush to clean the jets. Replace them after rinsing them thoroughly.

Caring For The Dishwasher

Frost precaution

Please take frost protection measures on the dishwasher in winter. Every time after washing cycles, please operate as follows:

1. Cut off the electrical power to the dishwasher at the supply source.
2. Turn off the water supply and disconnect the water inlet pipe from the water valve.
3. Drain the water from the inlet pipe and water valve. (Use a pan to gather the water)
4. Reconnect the water inlet pipe to the water valve.
5. Remove the filter at the bottom of the tub and use a sponge to soak up water in the sump.

After every wash

After every wash, turn off the water supply to the appliance and leave the door slightly open so that moisture and odors are not trapped inside.

Remove the plug

Before cleaning or performing maintenance, always remove the plug from the socket.

No solvents or abrasive cleaning

To clean the exterior and rubber parts of the dishwasher, do not use solvents or abrasive cleaning products. Only use a cloth with warm soapy water.

To remove spots or stains from the surface of the interior, use a cloth dampened with water and a little vinegar, or a cleaning product made specifically for dishwashers.

When not in use for a longtime

It is recommended that you run a wash cycle with the dishwasher empty and then remove the plug from the socket, turn off the water supply and leave the door of the appliance slightly open. This will help the door seals to last longer and prevent odors from forming within the appliance.

Moving the appliance

If the appliance must be moved, try to keep it in the vertical position. If absolutely necessary, it can be positioned on its back.

Seals

One of the factors that cause odours to form in the dishwasher is food that remains trapped in the seals. Periodic cleaning with a damp sponge will prevent this from occurring.

INSTALLATION INSTRUCTION

⚠ WARNING



Electrical Shock Hazard

Disconnect electrical power before installing dishwasher. Failure to do so could result in death or electrical shock.

⚠ Attention

The installation of the pipes and electrical equipments should be done by professionals.

About Power Connection

⚠ WARNING

For personal safety:

- Do not use an extension cord or an adapter plug with this appliance.
- Do not, under any circumstances, cut or remove the earthing connection from the power cord.

Electrical requirements

Please look at the rating label to know the rating voltage and connect the dishwasher to the appropriate power supply. Use the required fuse 10A/13A/16A, time delay fuse or circuit breaker recommended and provide separate circuit serving only this appliance.

Electrical connection

Ensure the voltage and frequency of the power being corresponds to those on the rating plate. Only insert the plug into an electrical socket which is earthed properly. If the electrical socket to which the appliance must be connected is not appropriate for the plug, replace the socket, rather than using a adaptors or the like as they could cause overheating and burns.

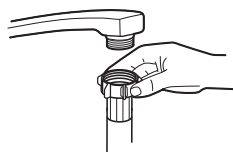
⚠ Ensure that proper earthing exists before use

Water Supply And Drain

Cold water connection

Connect the cold water supply hose to a threaded 3/4(inch) connector and make sure that it is fastened tightly in place.

If the water pipes are new or have not been used for an extended period of time, let the water run to make sure that the water is clear. This precaution is needed to avoid the risk of the water inlet to be blocked and damage the appliance.



ordinary supply hose



safety supply hose

About the safety supply hose

The safety supply hose consists of the double walls. The hose's system guarantees its intervention by blocking the flow of water in case of the supply hose breaking and when the air space between the supply hose itself and the outer corrugated hose is full of water.

⚠ WARNING

A hose that attaches to a sink spray can burst if it is installed on the same water line as the dishwasher. If your sink has one, it is recommended that the hose be disconnected and the hole plugged.

How to connect the safety supply hose

1. Pull The safety supply hoses completely out from storage compartment located at rear of dishwasher.
2. Tighter the screws of the safety supply hose to the faucet with thread 3/4inch.
3. Turn water fully on before starting the dishwasher.

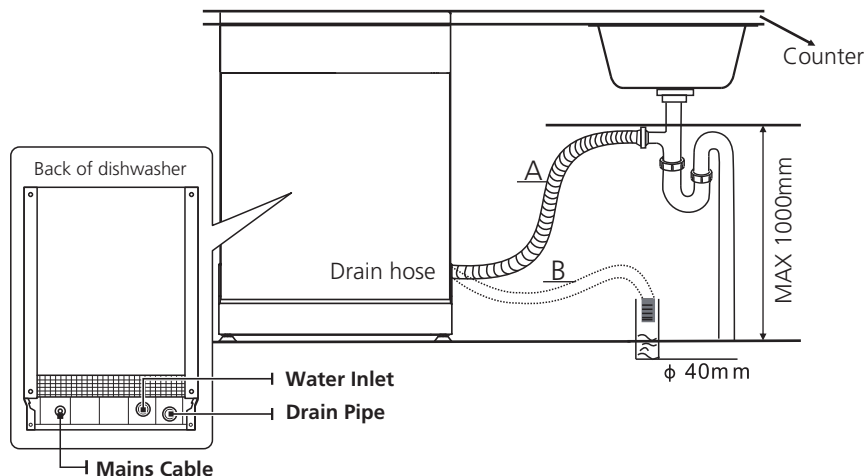
How to disconnect the safety supply hose

1. Turn off the water.
2. Unscrew the safety supply hose from the faucet.

Connection Of Drain Hoses

Insert the drain hose into a drain pipe with a minimum diameter of 4 cm, or let it run into the sink, making sure to avoid bending or crimping it. The height of drain pipe must be less than 1000mm. The free end of the hose must not be immersed in water to avoid the back flow of it.

⚠ Please securely fix the drain hose in either position A or position B



How to drain excess water from hoses

If the sink is 1000 higher from the floor, the excess water in hoses cannot be drained directly into the sink. It will be necessary to drain excess water from hoses into a bowl or suitable container that is held outside and lower than the sink.

Water outlet

Connect the water drain hose. The drain hose must be correctly fitted to avoid water leaks. Ensure that the water drain hose is not kinked or squashed.

Extension hose

If you need a drain hose extension, make sure to use a similar drain hose. It must be no longer than 4 meters; otherwise the cleaning effect of the dishwasher could be reduced.

Syphon connection

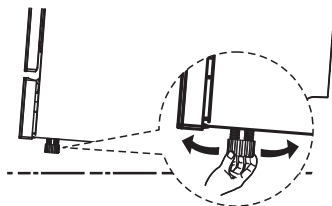
The waste connection must be at a height less than 100 cm (maximum) from the bottom of the dish. The water drain hose should be fixed .

Position The Appliance

Position the appliance in the desired location. The back should rest against the wall behind it, and the sides, along the adjacent cabinets or walls. The dishwasher is equipped with water supply and drain hoses that can be positioned either to the right or the left sides to facilitate proper installation.

Levelling the appliance

Once the appliance is positioned for levelling, the height of the dishwasher may be altered via adjustment of the screwing level of the feet. In any case, the appliance should not be inclined more than 2°.



NOTE:

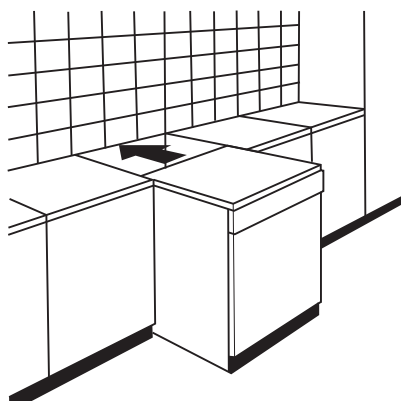
Only apply to the free standing dishwasher.

Free Standing Installation

Fitting between existing carbinets

The height of the dishwasher, 845 mm, has been designed in order to allow the machine to be fitted between existing cabinets of the same height in modern fitted kitchens. The feet can be adjusted so that correct height is reached.

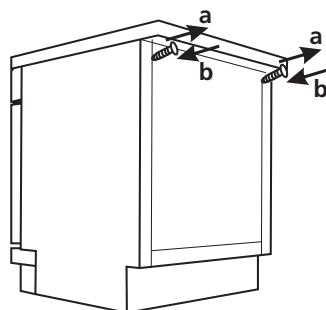
The laminated top of the machine does not require any particular care since it is heatproof, scratchproof and stainproof.



Underneath existing work top

(When fitting beneath a work top)

In most modern fitted kitchens there is only one single work top under which cabinets and electrical appliances are fitted. In this case remove the work top of the dishwasher by unscrewing the screws under the rear edge of the top (a).



⚠ Attention

After removing the work top, the screws must be screwed again under the rear edge of the top (b).

The height will then be reduced to 815 mm, as scheduled by the International Regulations (ISO) and the dishwasher will fit perfectly under the kitchen working top

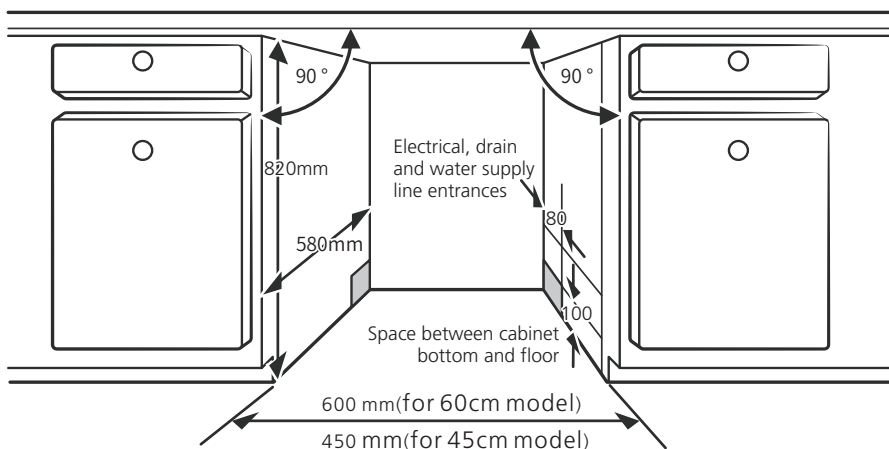
• Built-In Installation (for the integrated model)

Step 1. Selecting the best location for the dishwasher

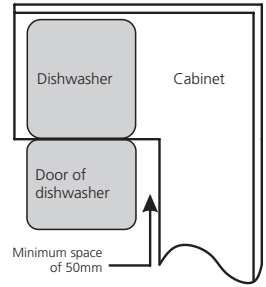
The installation position of dishwasher should be near the existing inlet and drain hoses and power cord.

Illustrations of cabinet dimensions and installation position of the dishwasher.

1. Less than 5 mm between the top of dishwasher and cabinet and the outer door aligned to cabinet.



- If dishwasher is installed at the corner of the cabinet, there should be some space when the door is opened.



NOTE:

Depending on where your electrical outlet is, you may need to cut a hole in the opposite cabinet side.

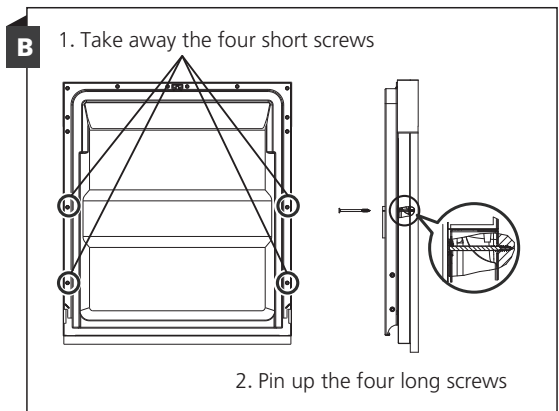
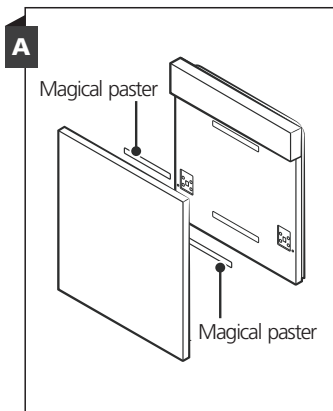
Step 2. Aesthetic panel's dimensions and installation



The aesthetic wooden panel could be processed according to the installation drawings.

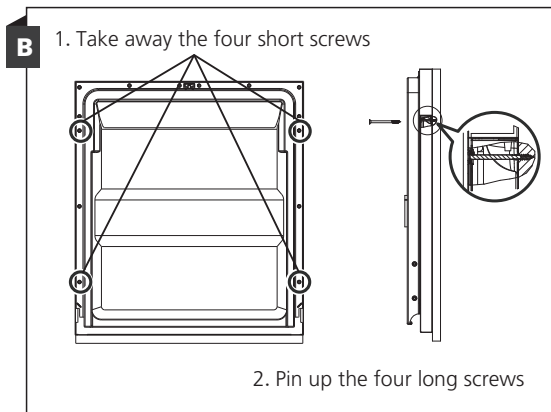
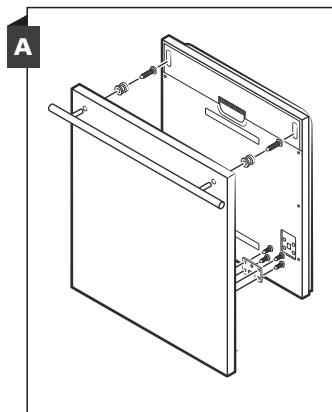
Semi-integrated model

Magical paster A and magical paster B be disjoined on ,magical paster A on the aesthetic wooden panel and felted magical paster B of the outer door of dishwasher (see figure A). After positioning of the panel , fix the panel onto the outer door by screws and bolts (See figure B).



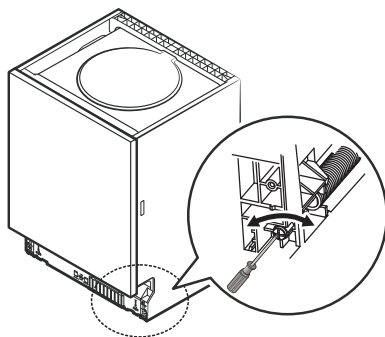
Full-integrated model

Install the hook on the aesthetic wooden panel and put the hook into the slot of the outer door of dishwasher (see figure A). After positioning of the panel, fix the panel onto the outer door by screws and bolts (See figure B).



Step 3. Tension adjustment of the door spring

1. The door springs are set at the factory to the proper tension for the outer door. If aesthetic wooden panels are installed, you will have to adjust the door spring tension. Rotate the adjusting screw to drive the adjuster to strain or relax the steel cable.
2. Door spring tension is correct when the door remains horizontal in the fully opened position, yet rises to a close with the slight lift of a finger.

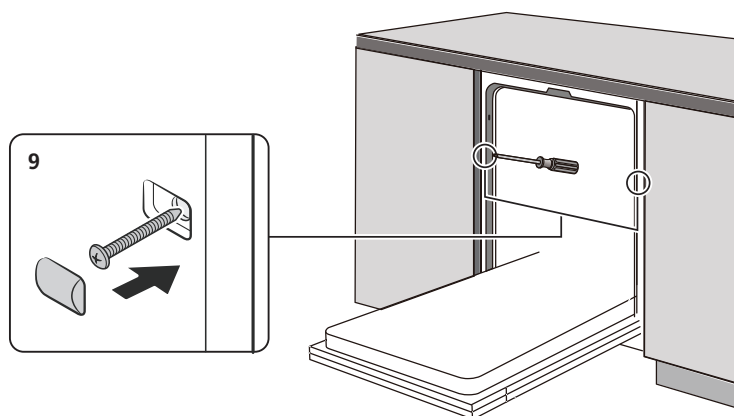


Step 4. Dishwasher installation steps



Please refer to the specified installation steps in the installation drawings.

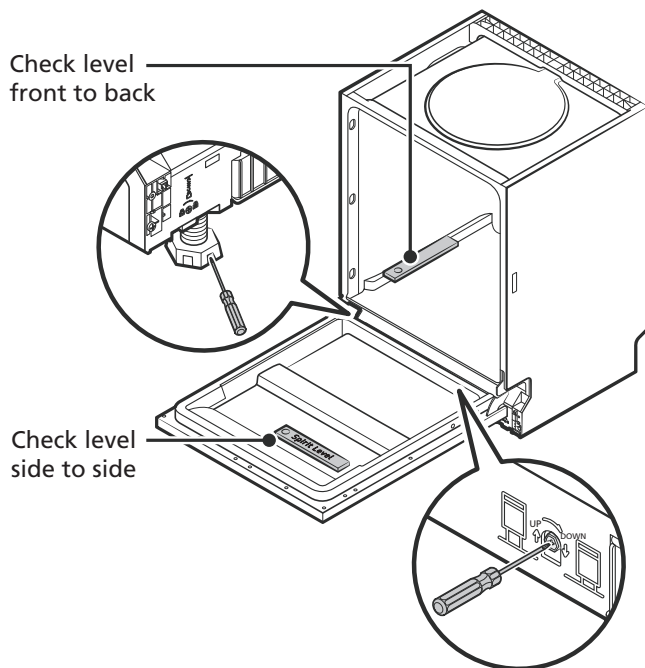
1. Affix the condensation strip under the work surface of cabinet. Please ensure the condensation strip is flush with edge of work surface. (Step 2)
2. Connect the inlet hose to the cold water supply.
3. Connect the drain hose.
4. Connect the power cord.
5. Place the dishwasher into position. (Step 4)
6. Level the dishwasher. The rear foot can be adjusted from the front of the dishwasher by turning the Philips screw in the middle of the base of dishwasher use an Philips screw. To adjust the front feet, use a flat screw driver and turn the front feet until the dishwasher is level. (Step 5 to Step 6)
7. Install the furniture door to the outer door of the dishwasher. (Step 7 to Step 10)
8. Adjust the tension of the door springs by using an Allen key turning in a clockwise motion to tighten the left and right door springs. Failure to do this could cause damage to your dishwasher. (Step 11)
9. The dishwasher must be secured in place. Fix the side with screws.



Step 5. Levelling the dishwasher

Dishwasher must be level for proper dish rack operation and wash performance.

1. Place a spirit level on door and rack track inside the tub as shown to check that the dishwasher is level.
2. Level the dishwasher by adjusting the three levelling legs individually.
3. When level the dishwasher, please pay attention not to let the dishwasher tip over.



NOTE:

The maximum adjustment height of the feet is 50 mm.

TROUBLESHOOTING TIPS

Before Calling For Service

Reviewing the charts on the following pages may save you from calling for service.

Problem	Possible Causes	What To Do
Dishwasher doesn't start	Fuse blown, or the circuit break tripped.	Replace fuse or reset circuit breaker. Remove any other appliances sharing the same circuit with the dishwasher.
	Power supply is not turned on.	Make sure the dishwasher is turned on and the door is closed securely. Make sure the power cord is properly plugged into the wall socket.
	Water pressure is low	Check that the water supply is connected properly and the water is turned on.
	Door of dishwasher not properly closed.	Make sure to close the door properly and latch it.
Water not pumped form dishwasher	Twisted or trapped drain hose.	Check the drain hose.
	Filter clogged.	Check coarse the filter.
	Kitchen sink clogged.	Check the kitchen sink to make sure it is draining well. If the problem is the kitchen sink that is not draining , you may need a plumber rather than a serviceman for dishwashers.
Suds in the tub	Wrong detergent.	Use only the special dishwasher detergent to avoid suds. If this occurs, open the dishwasher and let suds evaporate. Add 1 gallon of cold water to the bottom of the dishwasher. Close the dishwasher door, then select any cycle. Initially, the dishwasher will drain out the water. Open the door after draining stage is complete and check if the suds have disappeared. Repeat if necessary.

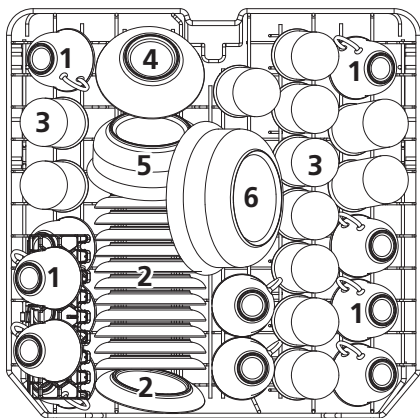
Problem	Possible Causes	What To Do
	Spilled rinse-aid.	Always wipe up rinse-aid spills immediately.
Stained tub interior	Detergent with colourant may have been used.	Make sure that the detergent has no colourant.
White film on inside surface	Hard water minerals.	To clean the interior, use a damp sponge with dishwasher detergent and wear rubber gloves. Never use any other cleaner than dishwasher detergent otherwise, it may cause foaming or suds.
There are rust stains on cutlery	The affected items are not corrosion resistant.	Avoid washing items that are not corrosion resistant in the dishwasher.
	A program was not run after dishwasher salt was added. Traces of salt have gotten into the wash cycle.	Always run a wash program without any crockery after adding salt. Do not select the Turbo function (if present), after adding dishwasher salt.
	The lid of the softer is loose.	Check the softener lid is secure.
Knocking noise in the dishwasher	A spray arm is knocking against an item in a basket	Interrupt the program and rearrange the items which are obstructing the spray arm.
Rattling noise in the dishwasher	Items of crockery are loose in the dishwasher.	Interrupt the program and rearrange the items of crockery.
Knocking noise in the water pipes	This may be caused by on-site installation or the cross-section of the piping.	This has no influence on the dishwasher function. If in doubt, contact a qualified plumber.
The dishes are not clean	The dishes were not loaded correctly.	See PART II "Preparing And Loading Dishes".
	The program was not powerful enough.	Select a more intensive program.

Problem	Possible Causes	What To Do
The dishes are not clean.	Not enough detergent was dispensed.	Use more detergent, or change your detergent.
	Items are blocking the movement of the spray arms.	Rearrange the items so that the spray can rotate freely.
	The filter combination is not clean or is not correctly fitted in the base of wash cabinet. This may cause the spray arm jets to get blocked.	Clean and/or fit the filter correctly. Clean the spray arm jets.
Cloudiness on glassware.	Combination of soft water and too much detergent.	Use less detergent if you have soft water and select a shorter cycle to wash the glassware and to get them clean.
White spots appear on dishes and glasses.	Hard water area can cause limescale deposits.	Add more detergent.
Black or grey marks on dishes	Aluminium utensils have rubbed against dishes	Use a mild abrasive cleaner to eliminate those marks.
Detergent left in dispenser	Dishes block detergent dispenser	Re-loading the dishes properly.
The dishes aren't drying	Improper loading	Load the dishwasher as suggested in the directions.
	Dishes are removed too soon	Do not empty your dishwasher immediately after washing. Open the door slightly so that the steam can come out. Take out the dishes until the inside temperature is safe to touch. Unload the lower basket first to prevent the dropping water from the upper basket.

Problem	Possible Causes	What To Do
The dishes aren't drying	Wrong program has been selected.	With a short program, the washing temperature is lower, decreasing cleaning performance. Choose a program with a long washing time.
	Use of cutlery with a low-quality coating.	Water drainage is more difficult with these items. Cutlery or dishes of this type are not suitable for washing in the dishwasher.

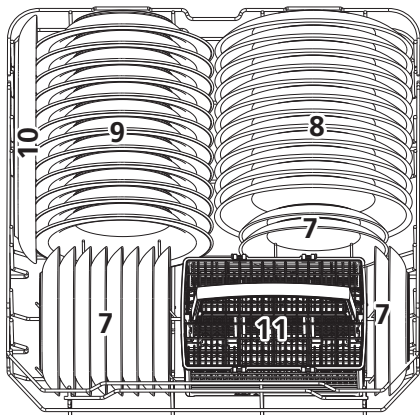
LOADING THE BASKETS ACCORDING TO EN50242:

1.Upper basket:



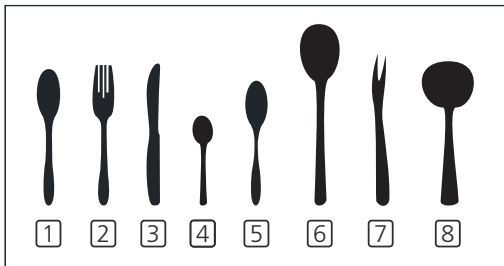
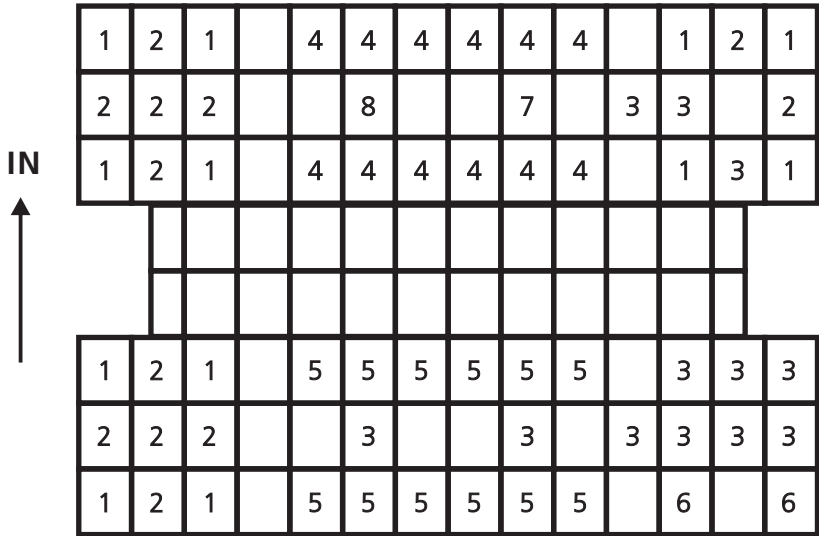
Number	Item
1	Cups
2	Saucers
3	Glasses
4	Small serving bowl
5	Medium serving bowl
6	Large serving bowl

2.Lower basket:



Number	Item
7	Dessert dishes
8	Dinner plates
9	Soup plates
10	Oval platter
11	Cutlery basket

3.Cutlery basket:

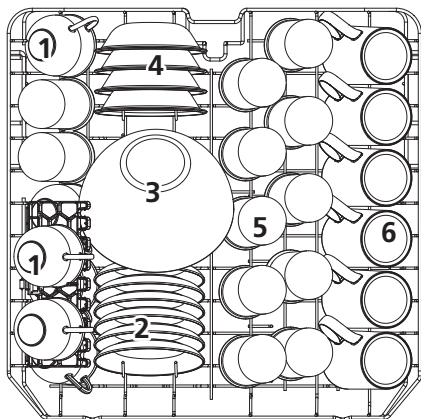


Number	Item
1	Soup spoons
2	Forks
3	Knives
4	Teaspoons
5	Dessert spoons
6	Serving spoons
7	Serving forks
8	Gravy ladles

Information for comparability tests in accordance with EN50242
 Capacity: 12 place settings
 Position of the upper basket: lower position
 Program: ECO
 Rinse aid setting: Max
 Softener setting: H3

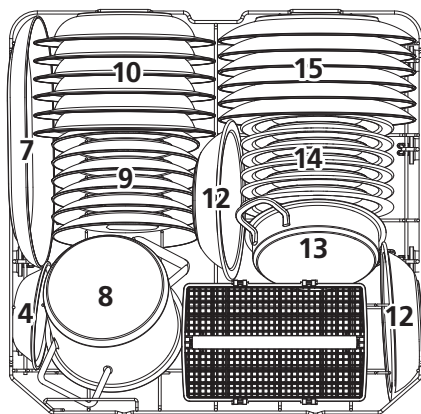
LOADING THE BASKETS ACCORDING TO EN60436:

1.Upper basket:



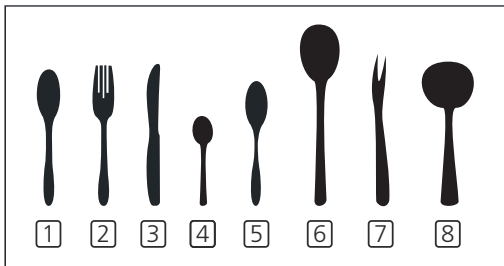
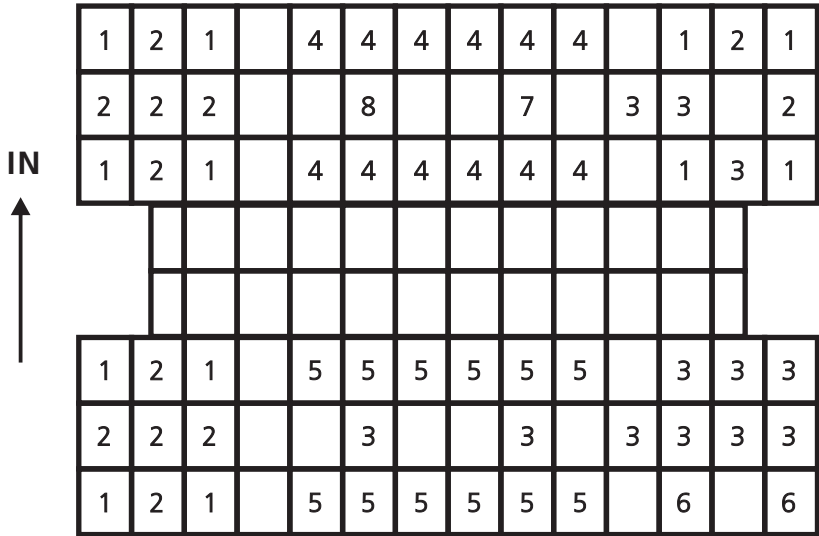
Number	Item
1	Cups
2	Saucers
3	Glass bowl
4	Dessert bowls
5	Glasses
6	Mugs

2.Lower basket:



Number	Item
7	Oval platter
8	Small pot
9	Dessert plates
10	Soup plates
11	Cutlery basket
12	Melamine bowls
13	Oven pot
14	Melamine dessert plates
15	Dinner plates

3.Cutlery basket:



Number	Item
1	Soup spoons
2	Forks
3	Knives
4	Teaspoons
5	Dessert spoons
6	Serving spoons
7	Serving forks
8	Gravy ladles

Information for comparability tests in accordance with EN60436
 Capacity: 12 place settings
 Position of the upper basket: lower position
 Program: ECO
 Rinse aid setting: Max
 Softener setting: H3

CONTENTS

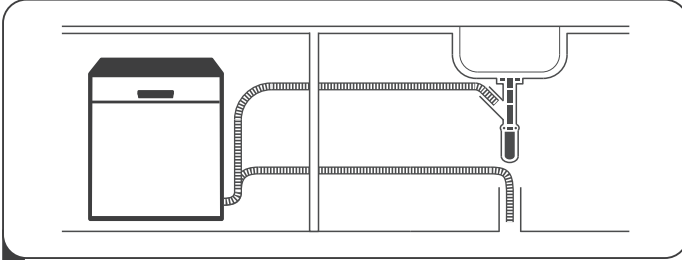
01	4	USING YOUR DISHWASHER
	4	Control Panel
	6	Water Softener
	7	Preparing And Loading Dishes
	10	Function Of The Rinse Aid And Detergent
02	11	Filling The Rinse Aid Reservoir
	12	Filling The Detergent Dispenser
	13	PROGRAMMING THE DISHWASHER
	13	Wash Cycle Table
	15	Starting A Cycle Wash
03	15	Changing The Program Mid-cycle
	16	Forget To Add A Dish?
	17	ERROR CODES
04	18	TECHNICAL INFORMATION

NOTE:

- If you cannot solve the problems by yourself, please ask for help from a professional technician.
- The manufacturer, following a policy of constant development and updating of the product, may make modifications without giving prior notice.
- If lost or out-of-date, you can receive a new user manual from the manufacturer or responsible vendor.

QUICK USER GUIDE

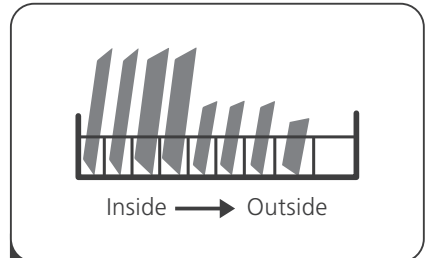
Please read the corresponding content on the instruction manual for detailed operating method.



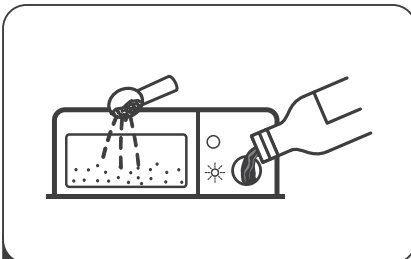
- 1 Install the dishwasher
(Please check the section 5 "INSTALLATION INSTRUCTION" of PART I : Generic Version.)



- 2 Removing the larger residue on the cutlery



- 3 Loading the baskets



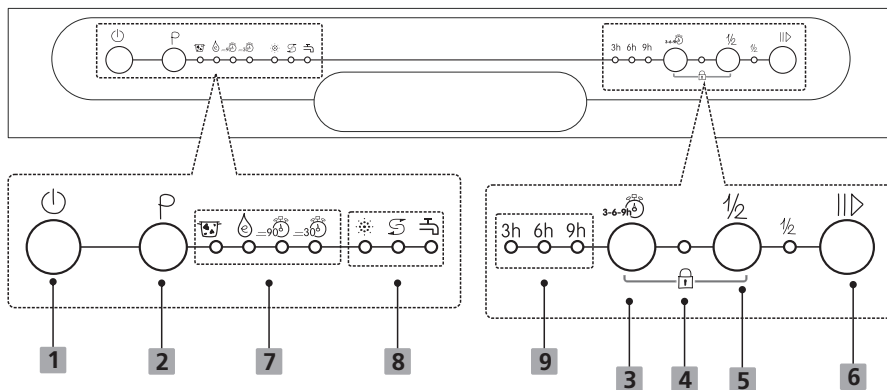
- 4 Filling the dispenser



- 5 Selecting a program and running the dishwasher

USING YOUR DISHWASHER



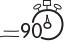
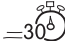






Control Panel



Operation (Button)

1 Power	Press this button to turn on your dishwasher.
2 Program	Select the appropriate washing program, the selected program indicator will be lit.
3 Delay	Press the button to set the delay time, corresponding indicator will be lit.
4 Child lock	This option allows you to lock the buttons on the control panel except the Power button - so children cannot accidentally start the dishwasher by pressing the buttons on the panel. To lock or unlock the buttons on the control panel, press and hold the Half-load button+Delay button for 3 seconds simultaneously. When you pressing this button, corresponding indicator will be lit.
5 Half-load	When you have about or less than half of full place settings dishware to wash, you can choose this function to save energy and water. (It can only be used with Intensive, ECO, 90 min.)
6 Start/Pause	To start the selected washing program or pause it when the dishwasher is working.

Display

<p>7 Program indicator</p>	<p> Intensive For heaviest soiled crockery, and normally soiled pots, pans, dishes etc. With dried-on food.</p> <p> ECO This is standard program, it is suitable to clean normally soiled tableware and it is the most efficient program in terms of its combined energy and water consumption for that type of tableware.</p> <p> 90 min For normally soiled loads that need quick wash.</p> <p> Rapid A shorter wash for lightly soiled loads that do not need drying.</p>
<p>8 Warning indicator</p>	<p> Rinse Aid If the "  " indicator is lit, it means the dishwasher is low on dishwasher rinse aid and requires a refill.</p> <p> Salt If the "  " indicator is lit, it means the dishwasher is low on dishwasher salt and needs to be refilled.</p> <p> Water Faucet If the "  " indicator is lit, it means the water faucet closed.</p>
<p>9 Delay time</p>	<p>To show the delay time (3h/6h/9h).</p>

Water Softener

The water softener must be set manually, using the water hardness dial.

The water softener is designed to remove minerals and salts from the water, which would have a detrimental or adverse effect on the operation of the appliance.

The more minerals there are, the harder your water is.

The softener should be adjusted according to the hardness of the water in your area.

Your local Water Authority can advise you on the hardness of the water in your area.

Adjusting salt consumption

The dishwasher is designed to allow for adjustment in the amount of salt consumed based on the hardness of the water used. This is intended to optimise and customise the level of salt consumption.

Please follow the steps below for adjustment in salt consumption.

1. Close the door and switch on the appliance;
2. Press the Program button for more than 5 seconds to start the water softener set model within 60 seconds after the appliance was switched on;
3. Press the Program button to select the proper set according to your local environment, the sets will change in the following sequence:
H1->H2->H3->H4->H5->H6;
4. Without operation in 5 seconds or press the Power button to complete the setup and exit the setup mode.

WATER HARDNESS				Water softener level	Salt consumption (gram/cycle)
German °dH	French °fH	British °Clarke	Mmol/l		
0 - 5	0 - 9	0 - 6	0 - 0.94	H1-> Rapid indicators flicker	0
6 - 11	10 - 20	7 - 14	1.0 - 2.0	H2-> 90 min indicators flicker	9
12 - 17	21 - 30	15 - 21	2.1 - 3.0	H3-> 90 min, Rapid indicators flicker	12
18 - 22	31 - 40	22 - 28	3.1 - 4.0	H4-> ECO indicators flicker	20
23 - 34	41 - 60	29 - 42	4.1 - 6.0	H5-> ECO, Rapid indicators flicker	30
35 - 55	61 - 98	43 - 69	6.1 - 9.8	H6-> ECO, 90 min indicators flicker	60

1°dH=1.25 °Clarke=1.78 °fH=0.178mmol/l

The manufactory setting: H3

Contact your local water board for information on the hardness of your water supply.



Please check the section 3 “Loading The Salt Into The Softener” of PART I : Generic Version, If your dishwasher lacks salt.



NOTE:

If your model does not have any water softener, you may skip this section.

Water Softener

The hardness of the water varies from place to place. If hard water is used in the dishwasher, deposits will form on the dishes and utensils.

The appliance is equipped with a special softener that uses a salt container specifically designed to eliminate lime and minerals from the water.

Preparing And Loading Dishes

- Consider buying utensils which are identified as dishwasher-proof.
- For particular items, select a program with the lowest possible temperature.
- To prevent damage, do not take glass and cutlery out of the dishwasher immediately after the program has ended.

For washing the following cutlery/dishes

Are not suitable

- Cutlery with wooden, horn china or mother-of-pearl handles
- Plastic items that are not heat resistant
- Older cutlery with glued parts that are not temperature resistant
- Bonded cutlery items or dishes
- Pewter or cooper items
- Crystal glass
- Steel items subject to rusting
- Wooden platters
- Items made from synthetic fibres

Are of limited suitability

- Some types of glasses can become dull after a large number of washes
- Silver and aluminum parts have a tendency to discolor during washing
- Glazed patterns may fade if machine washed frequently

Recommendations for loading the dishwasher

Scrape off any large amounts of leftover food. Soften remnants of burnt food in pans. It is not necessary to rinse the dishes under running water.

For best performance of the dishwasher, follow these loading guidelines.

(Features and appearance of baskets and cutlery baskets may vary from your model.)

Place objects in the dishwasher in following way:

- Items such as cups, glasses, pots/pans, etc. are faced downwards.
- Curved items, or ones with recesses, should be loaded aslant so that water can run off.
- All utensils are stacked securely and can not tip over.
- All utensils are placed in the way that the spray arms can rotate freely during washing.
- Load hollow items such as cups, glasses, pans etc. With the opening facing downwards so that water cannot collect in the container or a deep base.
- Dishes and items of cutlery must not lie inside one another, or cover each other.
- To avoid damage, glasses should not touch one another.
- The upper basket is designed to hold more delicate and lighter dishware such as glasses, coffee and tea cups.
- Long bladed knives stored in an upright position are a potential hazard!
- Long and / or sharp items of cutlery such as carving knives must be positioned horizontally in the upper basket.
- Please do not overload your dishwasher. This is important for good results and for reasonable consumption of energy.

NOTE:

Very small items should not be washed in the dishwasher as they could easily fall out of the basket.

Removing the dishes

To prevent water dripping from the upper basket into the lower basket, we recommend that you empty the lower basket first, followed by the upper basket.

WARNING



Items will be hot! To prevent damage, do not take glass and cutlery out of the dishwasher for around 15 minutes after the program has ended.

Loading the upper basket

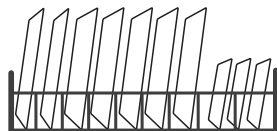
The upper basket is designed to hold more delicate and lighter dishware such as glasses, coffee and tea cups and saucers, as well as plates, small bowls and shallow pans (as long as they are not too dirty). Position the dishes and cookware so that they will not get moved by the spray of water.



Loading the lower basket

We suggest that you place large items and the most difficult to clean items are to be placed into the lower basket: such as pots, pans, lids, serving dishes and bowls, as shown in the figure below. It is preferable to place serving dishes and lids on the side of the racks in order to avoid blocking the rotation of the top spray arm.

The maximum diameter advised for plates in front of the detergent dispenser is of 19 cm, this not to hamper the opening of it.



Loading the cutlery basket

Cutlery should be placed in the cutlery rack separately from each other in the appropriate positions, and do make sure the utensils do not nest together, this may cause bad performance.

⚠ WARNING



Do not let any item extend through the bottom.

Always load sharp utensils with the sharp point down!



For the best washing effect, please load the baskets refer to standard loading options on last section of PART I : Generic Version


Function Of The Rinse Aid And Detergent

The rinse aid is released during the final rinse to prevent water from forming droplets on your dishes, which can leave spots and streaks. It also improves drying by allowing water to roll off the dishes. Your dishwasher is designed to use liquid rinse aids.

⚠ WARNING

Only use branded rinse aid for dishwasher. Never fill the rinse aid dispenser with any other substances (e.g. Dishwasher cleaning agent, liquid detergent). This would damage the appliance.

When to refill the rinse aid dispenser

Unless the rinse-aid warning light () on the control panel is on, you can always estimate the amount from the color of the optical level indicator located next to the cap. When the rinse-aid container is full, the indicator will be fully dark. The size of the dark dot decreases as the rinse-aid diminishes. You should never let the rinse aid level be less than 1/4 full.

As the rinse aid diminishes, the size of the black dot on the rinse aid level indicator changes, as illustrated below.

Full 3/4 full 1/2 full 1/4 full Empty

Function of detergent

The chemical ingredients that compose the detergent are necessary to remove, crush and dispense all dirt out of the dishwasher. Most of the commercial quality detergents are suitable for this purpose.

⚠ WARNING

- Proper Use of Detergent

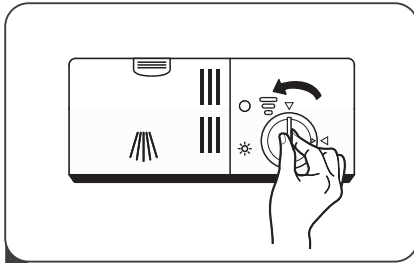
Use only detergent specifically made for dishwashers use. Keep your detergent fresh and dry.

Don't put powdered detergent into the dispenser until you are ready to wash dishes.

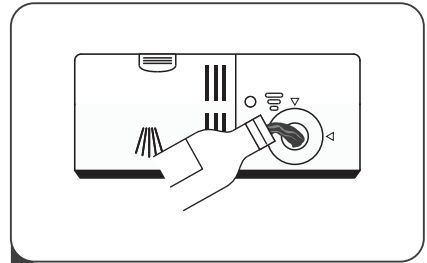


Dishwasher detergent is corrosive! Keep dishwasher detergent out of the reach of children.

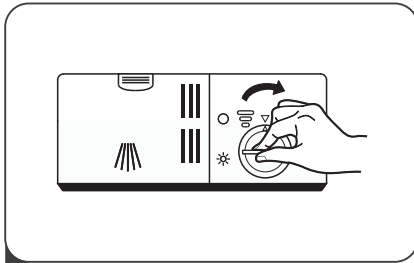
Filling The Rinse Aid Reservoir



1 Remove the rinse aid reservoir cap by rotating it counterclockwise.



2 Carefully pour in the rinse-aid into its dispenser, whilst avoiding it to overflow.

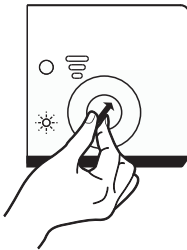


3 Close the rinse aid reservoir cap by rotating it clockwise.

NOTE:

Clean up any spilled rinse aid with an absorbent cloth to avoid excessive foaming during the next wash.

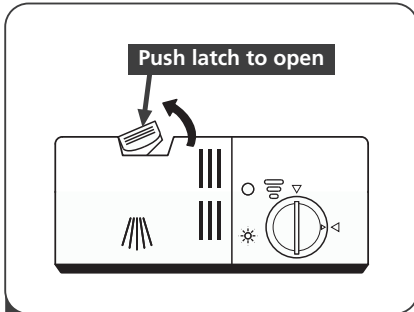
Adjusting the rinse aid reservoir



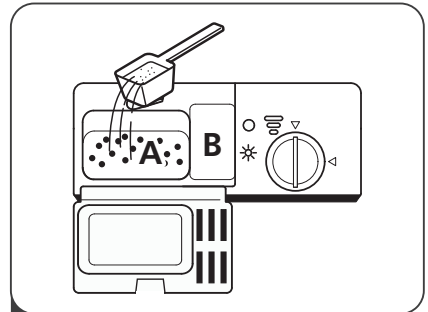
Turn the rinse aid indicator dial to a number. The higher the number, the more rinse aid the dishwasher uses.

If the dishes are not drying properly or are spotted, adjust the dial to the next higher number until your dishes are spot-free. Reduce it if there are sticky whitish stains on your dishes or a bluish film on glassware or knife blades.

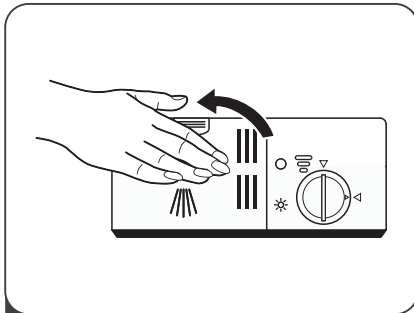
Filling The Detergent Dispenser



1 Press the release catch on the detergent dispenser to open the cover.



2 Add detergent into the larger cavity (A) for the main wash cycle . For more heavily soiled wash loads, also add some detergent into the smaller cavity (B) for the pre-wash cycle .



3 Close the cover and press on it until it locks into place.

NOTE:



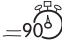
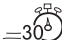
- Be aware that depending on the soiling of water, setting may be different.
- Please observe the manufacturer's recommendations on the detergent packaging.

PROGRAMMING THE DISHWASHER

Wash Cycle Table

The table below shows which programs are best for the levels of food residue on them and how much detergent is needed. It also show various information about the programs.

(●) Means: need to fill rinse into the Rinse-Aid Dispenser.

Program	Description Of Cycle	Detergent Pre/Main	Running Time(min)	Energy (Kwh)	Water (L)	Rinse Aid
 Intensive	Prewash(50°C)					
	Wash(65°C)					
	Rinse	5/25g	205	1.621	17.8	●
	Rinse	(1 or 2 pieces)				
	Rinse(65°C)					
Drying						
 (*EN50242)	Prewash					
	Wash(45°C)	5/25g	230	0.908	11.0	●
	Rinse(60°C)	(1 or 2 pieces)				
	Drying					
 90 min	Wash(60°C)					
	Rinse	30g	90	1.350	11.5	●
	Rinse(65°C)	(1 piece)				
	Drying					
 Rapid	Wash(50°C)					
	Rinse	25 g	30	0.751	11.2	○
	Rinse(45°C)					





NOTE:

ECO : This program is the test cycle. The information for comparability test in (*EN50242) accordance with EN50242.

Wash Cycle Table

The table below shows which programs are best for the levels of food residue on them and how much detergent is needed. It also show various information about the programs.

(●) Means: need to fill rinse into the Rinse-Aid Dispenser.

Program	Description Of Cycle	Detergent Pre/Main	Running Time(min)	Energy (Kwh)	Water (L)	Rinse Aid
 Intensive	Prewash(50°C)					
	Wash(65°C)					
	Rinse	4/16g	205	1.621	17.8	●
	Rinse	(1 or 2 pieces)				
	Rinse(65°C)					
Drying						
 (*EN60436)	Prewash					
	Wash(45°C)	4/16g	230	0.923	11.0	●
	Rinse(60°C)	(1 or 2 pieces)				
	Drying					
 90 min	Wash(60°C)					
	Rinse	20g	90	1.350	11.5	●
	Rinse(65°C)	(1 piece)				
	Drying					
 Rapid	Wash(50°C)					
	Rinse	20g	30	0.751	11.2	○
	Rinse(45°C)	(1 or 2 pieces)				

NOTE:

ECO : This program is the test cycle. The information for comparability test in (*EN60436) accordance with EN60436.

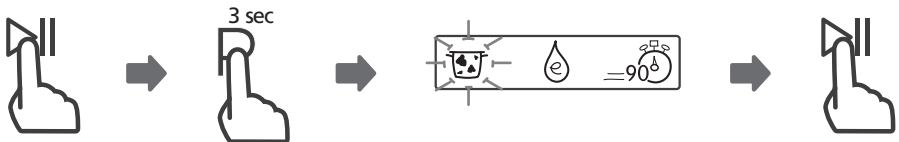
Starting A Cycle Wash

1. Draw out the lower and upper basket, load the dishes and push them back. It is commended to load the lower basket first, then the upper one.
2. Pour in the detergent.
3. Insert the plug into the socket. The power supply refer to last page "Product fiche". Make sure that the water supply is turned on to full pressure.
4. Close the door, press the Power button, to switch on the machine.
5. Choose a program, the response light will turn on. Then press the Start/Pause button, the dishwasher will start its cycle.

Changing The Program Mid-cycle

A wash cycle can only be changed if it has been running for a short time otherwise, the detergent may have already been released and the dishwasher may have already drained the wash water. If this is the case, the dishwasher needs to be reset and the detergent dispenser must be refilled. To reset the dishwasher, follow the instructions below:

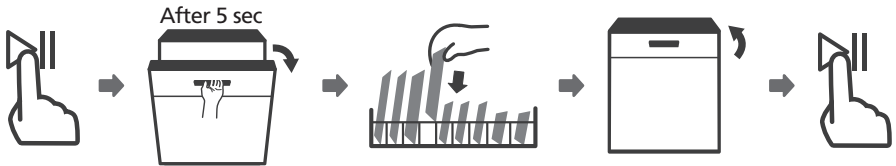
1. Press the Start/Pause button to pause the washing.
2. Press Program button for more than 3 seconds - the program will cancel.
3. Press the Program button to select the desired program.
4. Press the Start/Pause button, after 10 seconds, the dishwasher will start.



• Forget To Add A Dish?

A forgotten dish can be added any time before the detergent dispenser opens. If this is the case, follow the instructions below:

1. Press the Start/Pause button to pause the washing.
2. Wait 5 seconds then open the door.
3. Add the forgotten dishes.
4. Close the door.
5. Press the Start/Pause button after 10 seconds, the dishwasher will start.



⚠ WARNING



It is dangerous to open the door mid-cycle, as hot steam may scald you.

ERROR CODES

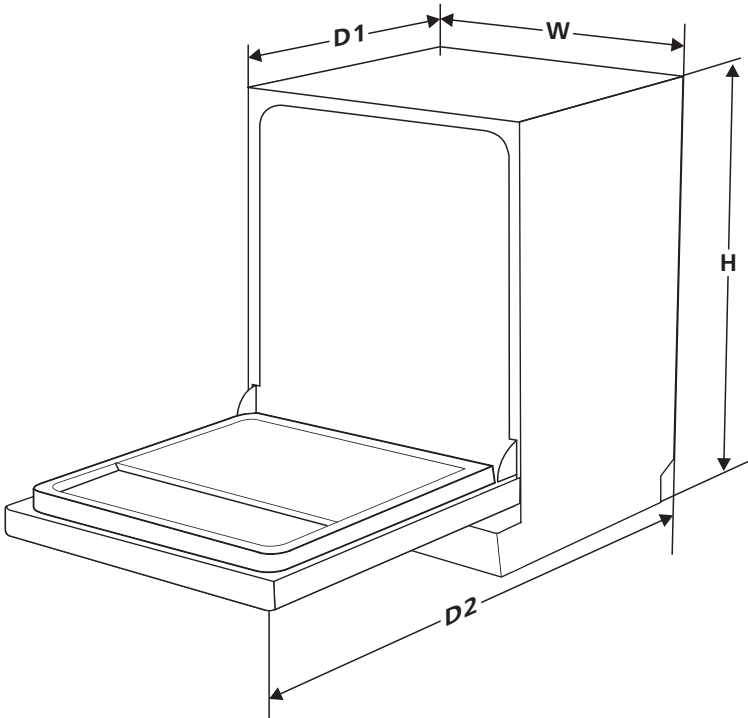
If there is a malfunction, the dishwasher will display error codes to identify these:

Codes	Meanings	Possible Causes
The Rapid light flicker fleetly	Longer inlet time.	Faucets is not opened, or water intake is restricted, or water pressure is too low.
The Rapid and 90 min light flicker fleetly	Not reaching required temperature.	Malfunction of heating element.
The ECO light flicker fleetly	Overflow.	Some element of dishwasher leaks.
The ECO, Rapid and Intensive indicator flicker fleetly	Failure of communication between main PCB with display PCB.	Open circuit or break wiring for the communication.

WARNING

- If overflow occurs, turn off the main water supply before calling a service.
- If there is water in the base pan because of an overfill or small leak, the water should be removed before restarting the dishwasher.

TECHNICAL INFORMATION



Height (H)	845mm
Width (W)	598mm
Depth (D1)	600mm (with the door closed)
Depth (D2)	1175mm (with the door opened 90°)

Product fiche (EN50242)

Sheet of household dishwasher according to EU Directive 1016/2010 & 1059/2010:

Manufacturer	EDESA
Type / Description	EDW-6120 WH
Standard place settings	12
Energy efficiency class 1	A++
Annual energy consumption 2	258 kWh
Energy consumption of the standard cleaning cycle	0,908 kWh
Power consumption of off-mode	0,45 W
Power consumption of left-on mode	0,49W
Annual water consumption 3	3080 liter
Drying efficiency class 4	A
Standard cleaning cycle 5	ECO 45°C
Program duration of the standard cleaning cycle	230 min
Noise level	52 dB(A) re 1 pW
Mounting	Free standing
Could be built-in	YES
Power consumption	1760-2100W
Rated voltage / frequency	220-240V/50Hz
Water pressure (flow pressure)	0,04-1,0MPa=0,4-10 bar

NOTE:

- 1** A + + + (highest efficiency) to D (lowest efficiency)
- 2** Energy consumption based on 280 standard cleaning cycles using cold water fill and the consumption of the low power modes. Actual energy consumption will depend on how the appliance is used.
- 3** Water consumption based on 280 standard cleaning cycles. Actual water consumption will depend on how the appliance is used.
- 4** A (highest efficiency) to G (lowest efficiency)
- 5** This program is suitable for cleaning soiled normally soiled tableware and that it is the most efficient program in terms of its combined energy and water consumption for that type of tableware.

Product information sheet (EN60436)

Supplier's name or trade mark: EDESA

Supplier's address (b): c/ Anabel Segura 11, 3º. 28108. Alcobendas. Madrid. España

Model identifier: EDW-6120 WH

General product parameters:

Parameter	Value	Parameter	Value	
Rated capacity (a) (ps)	12	Dimensions in cm	Height	84,5
			Width	59,8
			Depth	60,0
EEI (a)	55,9	Energy efficiency class (a)	E (c)	
Cleaning performance index (a)	1,13	Drying performance index (a)	1,07	
Energy consumption in kWh [per cycle], based on the eco programme using cold water fill. Actual energy consumption will depend on how the appliance is used.	0,923	Water consumption in litres [per cycle], based on the eco program. Actual water consumption will depend on how the appliance is used and on the hardness of the water.	11,0	
Program duration (a) (h:min)	3:50	Type	Free standing	
Airborne acoustical noise emissions (a) (dB(A) re 1 pW)	52	Airborne acoustical noise emission class (a)	D (c)	
Off-mode (W)	0,49	Standby mode (W)	N/A	
Delay start (W) (if applicable)	1,00	Networked standby (W) (if applicable)	N/A	

Minimum duration of the guarantee offered by the supplier (b):

Additional information:

Weblink to the supplier's website, where the information in point 6 of Annex II to Commission Regulation (EU) 2019/2022 (1) (b) is found:

(a) for the eco program.

(b) changes to these items shall not be considered relevant for the purposes of paragraph 4 of Article 4 of Regulation (EU) 2017/1369.

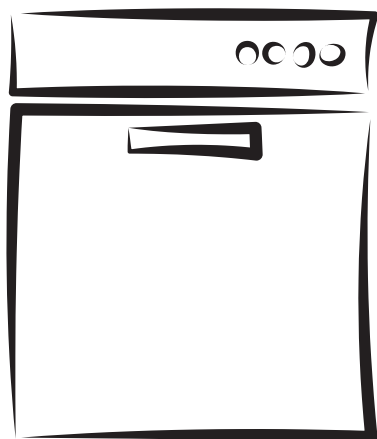
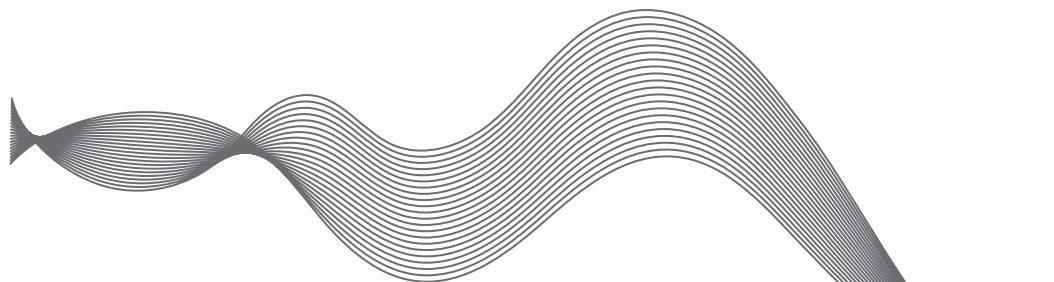
(c) if the product database automatically generates the definitive content of this cell the supplier shall not enter these data.

(1) Commission Regulation (EU) 2019/2022 of 1 October 2019 laying down eco design requirements for household dishwashers pursuant to Directive 2009/125/EC of the European Parliament and of the Council amending Commission Regulation (EC) No 1275/2008 and repealing Commission Regulation (EU) No 1016/2010 (see page 267 of this Official Journal).

edesa



www.edesa.es



EDW-6120 WH

EN Instruction manual

ES Manual de instrucciones

ÍNDICE

01	3 INFORMACIÓN SOBRE SEGURIDAD
02	8 RESUMEN DEL PRODUCTO
	9 USO DEL LAVAVAJILLAS
03	9 Echar sal en el suavizante 11 Consejos sobre la cesta
	12 MANTENIMIENTO Y LIMPIEZA
04	12 Cuidado del exterior 12 Cuidado del interior 15 Cuidado del lavavajillas
	16 INSTRUCCIONES DE INSTALACIÓN
	16 Acerca de la conexión eléctrica
05	17 Consumo de agua y drenaje 18 Conexión de las mangueras de drenaje 19 Colocación del aparato 19 Instalación independiente 20 Instalación integrada (para el modelo integrado)
06	25 CONSEJOS DE RESOLUCIÓN DE PROBLEMAS
07	29 CARGA DE LAS CESTAS CONFORME A LA NORMA EN50242

NOTA:

- Si revisa la sección sobre Resolución de problemas encontrará algunos consejos para resolver problemas comunes.
- Si no puede solucionar algún problema, pida ayuda a un técnico profesional.
- El fabricante, siguiendo su política de desarrollo y actualización constantes del producto, podría hacer modificaciones sin previo aviso.
- Si lo pierde o se queda obsoleto, puede solicitar un manual de usuario nuevo al fabricante o al vendedor.

INFORMACIÓN SOBRE SEGURIDAD

⚠ ADVERTENCIA

Al usar el lavavajillas, tome las precauciones indicadas a continuación:

- **La instalación y reparación solo pueden ser llevadas a cabo por un técnico cualificado.**
- **Este electrodoméstico ha sido diseñado para un uso doméstico y otras aplicaciones como:**
 - zonas de cocina para personal en tiendas, oficinas y otros entornos de trabajo;
 - casas rurales;
 - para el uso de los clientes en hoteles, hostales, moteles y otros **entornos** de tipo residencial.
- Este electrodoméstico lo pueden usar niños a partir de 8 años y personas con capacidades sensoriales o mentales reducidas o falta de experiencia y conocimiento si cuentan con la supervisión o las instrucciones necesarias relativas al uso seguro del aparato y comprenden los peligros que este entraña.
- Los niños no deben jugar con el aparato. Los niños no deben realizar las tareas de limpieza y mantenimiento sin supervisión. (Norma EN60335-1)

Este electrodoméstico no está diseñado para que lo usen personas (incluidos niños) con capacidades físicas, sensoriales o mentales reducidas, o con falta de experiencia y conocimiento, zonas de cocina para personal en tiendas, oficinas y otros entornos de trabajo, sin la supervisión o las instrucciones necesarias relativas al uso seguro del aparato por parte de una persona responsable de su seguridad. (Norma IEC60335-1)

- El material del embalaje puede ser peligroso para los niños.
- Este aparato solo se debe utilizar en interiores. Para evitar riesgos de descarga eléctrica, no sumerja la unidad, el cable ni el enchufe en agua ni en otro líquido.
- Desenchufe el aparato antes de limpiarlo y realizar su mantenimiento.
- Use un paño suave humedecido con jabón neutro, y después un paño seco para frotarlo.





Instrucciones de puesta a tierra

- Este aparato debe ponerse a tierra. En caso de fallo o rotura, la puesta a tierra reducirá el riesgo de una descarga eléctrica ofreciendo una vía de menor resistencia de corriente eléctrica. Este aparato está equipado con una clavija para un conductor a tierra.
- La clavija debe conectarse a una salida adecuada, instalada y puesta a tierra conforme a los códigos y las ordenanzas locales.
- Una conexión inadecuada del conductor de puesta a tierra del equipo puede dar como resultado un riesgo de descarga eléctrica.
- Consulte a un electricista o un representante de servicio cualificado si tiene alguna duda sobre si el aparato está puesto a tierra convenientemente.

- No modifique el enchufe que se suministra con el aparato si no se adapta a la salida.
- Haga que un electricista cualificado le instale una salida adecuada.
- No abuse, se siente ni se suba en la puerta o la bandeja del lavavajillas.
- No utilice el lavavajillas salvo que todos los paneles suministrados estén colocados correctamente.
- Abra la puerta con mucho cuidado si el lavavajillas está funcionando, ya que existe el riesgo de que salpique agua.
- No coloque objetos pesados ni se apoye en la puerta mientras esté abierta. El aparato podría volcar.
- Al cargar los elementos a fregar:
 - 1) Coloque los objetos afilados de tal forma que no puedan dañar el sellado de la puerta;
 - 2) Advertencia: Los cuchillos y otros utensilios que puntas afiladas deben colocarse en la cesta con las puntas hacia abajo o en posición horizontal.
- Algunos detergentes para lavavajillas son sumamente alcalinos. Pueden resultar muy peligrosos si se ingieren. Evite el contacto con la piel y los ojos y mantenga a los niños alejados del lavavajillas mientras esté la puerta abierta.
- Compruebe que no queda nada de detergente en polvo una vez completado el ciclo de lavado.

- No lave objetos de plástico salvo que lleven la marca " apto para lavavajillas " o equivalente.
- Si los objetos de plástico no incluyen ninguna marca, consulte las recomendaciones del fabricante.
- Use solo detergente y abrillantador recomendados para su uso con lavavajillas automáticos.
- Nunca use jabón, detergente para la ropa ni detergente para lavar a mano en el lavavajillas.
- La puerta no debe dejarse abierta, ya que podría aumentar el riesgo de tropezar.
- Si el cable de alimentación eléctrica está dañado, debe solicitar al fabricante, al servicio de mantenimiento u otra persona cualificada que lo sustituyan para evitar posibles peligros.
- Durante la instalación, el suministro de alimentación no debe estar muy doblado ni aplastado.
- No lo manipule con controles.
- El aparato debe conectarse a la válvula de agua principal usando mangueras nuevas. Los elementos antiguos no deben volver a utilizarse.
- Para ahorrar energía, en modo standby, el aparato se apagará automáticamente si no funciona en 15 minutos.

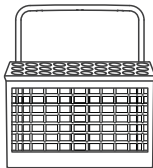
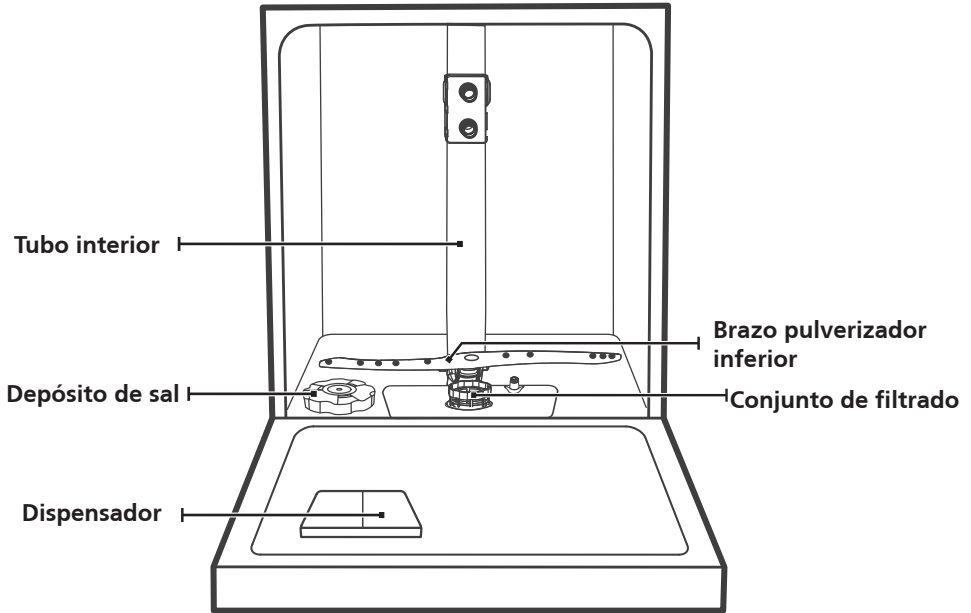
Eliminación

- Para eliminar el embalaje y el aparato, diríjase a un centro de reciclaje. Corte el cable de alimentación e inutilice el cierre de la puerta del aparato. 
- El embalaje de cartón está hecho de papel reciclado y debe desecharse en el lugar adecuado para su reciclaje. 
- Al garantizar que este producto se desecha correctamente, ayudará a prevenir potenciales consecuencias negativas para el medio ambiente y la salud humana, que de otro modo se generarían por una eliminación inadecuada de este producto.
- Para obtener información más detallada sobre el reciclaje de este producto, póngase en contacto con su ayuntamiento y con el servicio de eliminación de residuos.
- **ELIMINACIÓN: No deseche este producto como un residuo doméstico común. Es necesaria su clasificación para que reciba un tratamiento especial.**

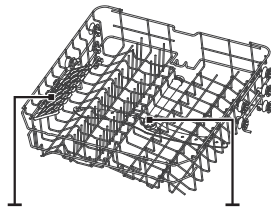
RESUMEN DEL PRODUCTO

❗ IMPORTANTE:

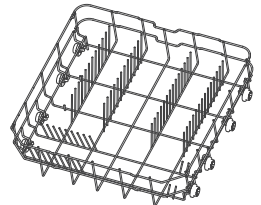
Para obtener el máximo provecho de su lavavajillas, lea todas las instrucciones de funcionamiento antes de usarlo por primera vez.



Bandeja para tazas



brazo pulverizador superior



Cesta inferior

Cesto para cubiertos

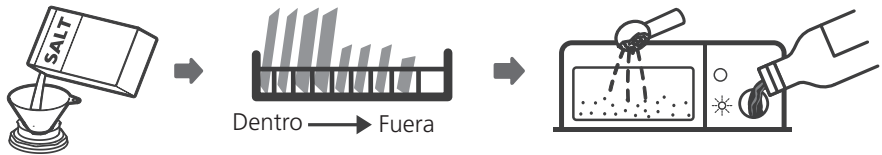
Cesta superior

💡 NOTA:

Las imágenes se muestran únicamente como referencia, pudiendo variar entre los distintos modelos.

USO DEL LAVAVAJILLAS

Antes de usar el lavavajillas:



1. Ajuste el suavizante para el agua
2. Echar sal en el suavizante
3. Cargar la cesta
4. Llenar el dispensador



Consulte la Sección 1 "Suavizante para el agua" en el APARTADO II: Versión especial, si necesita ajustar el suavizante para el agua.

Echar sal en el suavizante

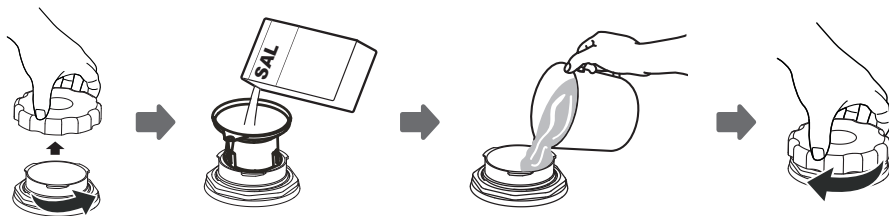
NOTA:

Si su modelo no lleva suavizante para el agua, puede saltarse esta sección. Use siempre sal para lavavajillas. El depósito está situado debajo de la cesta interior y debe llenarse como se indica a continuación:

ADVERTENCIA


- **Use solamente sal especialmente diseñado para lavavajillas.** Los demás tipos de sal, no específicamente diseñados para lavavajillas, especialmente si es sal de mesa, dañarán el suavizante para el agua. En caso de daños causados por el uso de sal de tipo inadecuado, el fabricante no asumirá ninguna garantía ni será responsable de los daños ocasionados.
- **Eche sal únicamente antes de poner en marcha un ciclo.** Así se evita que los granos de sal o el agua salada, que pueda salpicarse, se quede en el fondo de la máquina durante un tiempo, pudiendo causar corrosión.

Siga estos pasos para echar sal al lavavajillas:



1. Saque la cesta inferior y desenrosque la tapa del depósito.
2. Coloque el extremo del embudo (suministrado) en el orificio y vierta en torno a 1,5 kg de sal para lavavajillas.
3. Llene el depósito de sal hasta el límite máximo con agua. Es normal que se vierta una pequeña cantidad de agua del depósito.
4. Una vez lleno, vuelva a enroscar la tapa apretándola.
5. La luz de advertencia de que no hay sal se apagará una vez rellenado el depósito.
6. Inmediatamente después de llenar el depósito, debe ponerse en marcha un programa (se recomienda usar un programa corto). Si no, el sistema de filtrado, la bomba u otros componentes importantes de la máquina podrían dañarse con el agua salada. Esto no lo incluye la garantía.

NOTA:

- El depósito de sal solamente se debe rellenar cuando se encienda la luz de advertencia () en el panel de control. Dependiendo de cómo de bien se disuelva la sal, la luz de advertencia podría quedar encendida una vez rellenado el depósito.
Si no hay una luz de advertencia en el panel de control (en algunos modelos), puede estimar cuándo es necesario rellenar el depósito de sal según los ciclos de lavado realizados por el lavavajillas.
- Si se ha derramado sal, ponga en marcha un programa de remojo o un programa rápido.

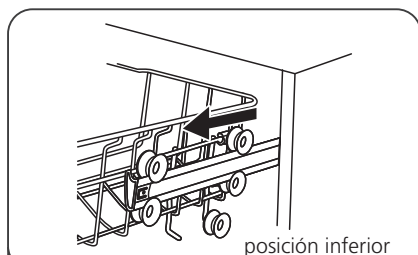
Consejos sobre la cesta

Ajuste de la cesta superior

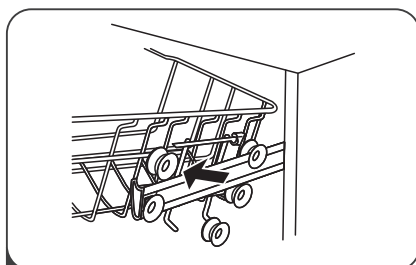
Tipo 1:

La altura de la cesta superior se puede ajustar fácilmente para meter platos más grandes en la cesta superior o en la inferior.

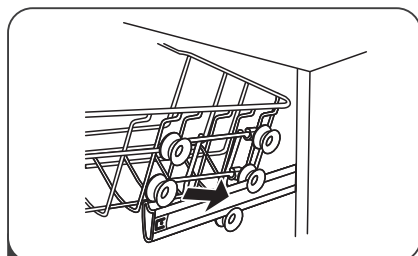
Para ajustar la altura de la cesta superior, siga estos pasos:



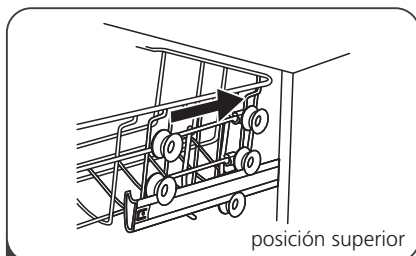
1 Tire hacia fuera de la cesta superior.



2 Extraiga la cesta superior.



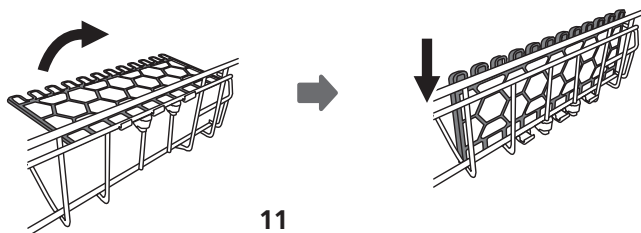
3 Vuelva a colocar la cesta superior en los rodillos superiores o inferiores.



4 Empuje la cesta superior para introducirla.

Plegar los estantes para copas

Para dejar espacio para los objetos altos en la cesta superior, pliegue hacia arriba los estantes para copas. Puede apoyar los vasos altos contra ellos. También puede quitarlos si no necesita usarlos.



MANTENIMIENTO Y LIMPIEZA

Cuidado del exterior

La puerta y la junta de la puerta

Limpie las juntas de la puerta regularmente con un paño suave humedecido para eliminar restos de comida. Al meter los platos en el lavavajillas, pueden caer restos de comida o bebida en los laterales de la puerta. Estas superficies están fuera de la estructura del lavavajillas y el agua de los brazos pulverizadores no llega a ellas. Los alimentos depositados deben retirarse antes de cerrar la puerta.

El panel de control

Si es necesario limpiarlo, el panel de control debe frotarse con un paño suave humedecido.

ADVERTENCIA

- Para evitar que entre agua en el cierre de la puerta y los componentes eléctricos, no use un limpiador en spray de ningún tipo.
- No use limpiadores abrasivos ni estropajos en las superficies externas, ya que podría rayar el acabado. Algunas toallas de papel también pueden rayar o dejar marcas en la superficie.

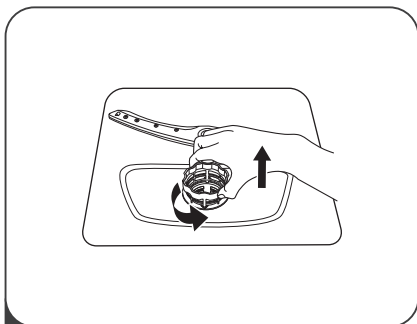
Cuidado del interior

Sistema de filtrado

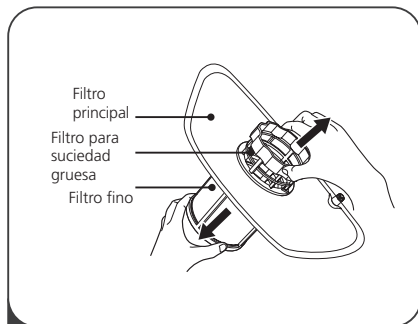
El sistema de filtrado en la base de la estructura almacena la suciedad gruesa que se genera en el ciclo de lavado. Esta suciedad puede hacer que el filtro se obstruya. Compruebe el estado de los filtros regularmente y límpielos si es necesario con agua del grifo. Siga estos pasos para limpiar los filtros en la estructura de lavado.

NOTA:

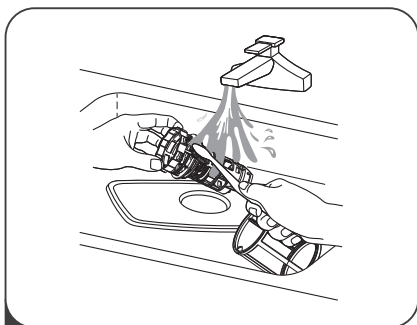
Las imágenes se muestran únicamente a modo de referencia, ya que los distintos modelos de sistemas de filtrado y brazos pulverizadores pueden variar.



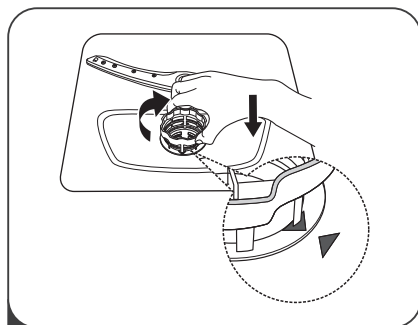
- 1** Sostenga el filtro grueso y gírelo en sentido antihorario para desbloquear el filtro. Levante el filtro hacia arriba y fuera del lavavajillas.



- 2** El filtro fino se puede sacar de la parte inferior del conjunto del filtro. El filtro grueso se puede separar del filtro principal apretando suavemente las pestañas en la parte superior y tirando de él.



- 3** Los restos de alimentos más grandes se pueden limpiar enjuagando el filtro con agua corriente. Para una limpieza más completa, use un cepillo de limpieza suave.



- 4** Vuelva a armar los filtros en el orden inverso al del desmontaje, vuelva a colocar el inserto del filtro y gírelo en el sentido de las agujas del reloj hasta la flecha de cierre.

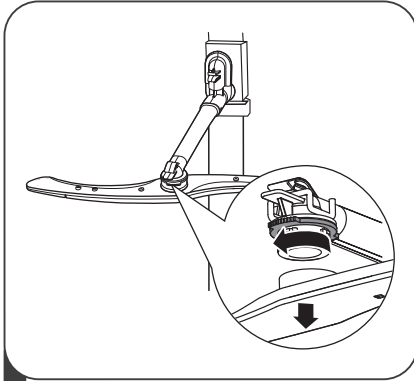
⚠ ADVERTENCIA

- No apriete los filtros en exceso. Coloque los filtros de nuevo siguiendo una secuencia segura, o la suciedad gruesa podría introducirse en el sistema y causar una obstrucción.
- Nunca use el lavavajillas sin los filtros en su lugar. Una colocación incorrecta del filtro puede reducir el nivel de rendimiento del aparato y dañar los platos y demás utensilios.

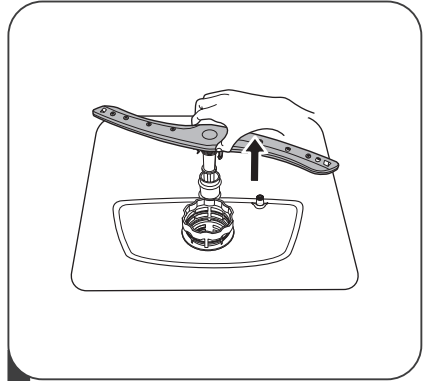
Brazos pulverizadores

Es necesario limpiar los brazos pulverizadores regularmente para retirar los productos químicos del agua que puedan obstruir los orificios para los chorros de agua y los rodamientos.

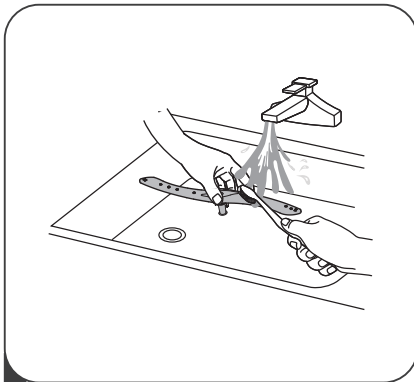
Para limpiar los brazos pulverizadores, siga las instrucciones a continuación:



- 1** Para quitar el brazo rociador superior, sostenga la tuerca en el centro de la rueda y gire el brazo rociador en el sentido contrario a las agujas del reloj para quitarlo.



- 2** Para quitar el brazo rociador inferior, saque el brazo rociador hacia arriba.



- 3** Lave los brazos en agua jabonosa y tibia y use un cepillo suave para limpiar los chorros. Reemplácelos después de enjuagarlos completamente.

Cuidado del lavavajillas

Precaución anti-congelación

Tome medidas para que el lavavajillas no se congele durante el invierno. Cada vez que use un ciclo de lavado, haga lo siguiente:

1. Corte el suministro eléctrico al lavavajillas en la fuente de alimentación.
2. Apague el suministro de agua y desconecte el tubo de entrada de agua de la válvula de agua.
3. Drene el agua del tubo de entrada y la válvula de agua. (Use un recipiente para recoger el agua).
4. Vuelva a conectar el tubo de entrada a la válvula de agua.
5. Quite el filtro de la parte inferior de la cuba y use una esponja para recoger el agua del sumidero.

Después de cada lavado

Después de cada lavado, corte el suministro de agua al aparato y deje la puerta ligeramente abierta para que la humedad y los olores no queden atrapados en su interior.

Retire el enchufe

Antes de realizar labores de limpieza o mantenimiento, retire siempre el enchufe de la toma.

No usar limpiadores abrasivos ni disolventes

Para limpiar el exterior y las partes de caucho, no use productos de limpieza abrasivos ni disolventes. Use solamente un paño con agua jabonosa templada.

Para quitar las manchas de la superficie del interior, use un paño humedecido con agua y un poco de vinagre, o un producto de limpieza diseñado específicamente para lavavajillas.

Si no se va a usar durante un tiempo

Se recomienda realizar un ciclo de lavado con el lavavajillas vacío y después retirar el enchufe de la toma, cerrar el suministro de agua y dejar la puerta del aparato ligeramente abierta. Así las juntas de la puerta durarán más y se evitará que se formen olores dentro del aparato.

Traslado del aparato

Si necesita mover el aparato, trate de mantenerlo en posición vertical. Si es absolutamente necesario, se puede apoyar sobre su parte posterior.

Juntas

Uno de los factores que generan olores en el lavavajillas son los alimentos que quedan atrapados en las juntas. Limpiarlas regularmente con una esponja húmeda evitará que eso ocurra.

INSTRUCCIONES DE INSTALACIÓN

⚠ ADVERTENCIA



Riesgo de descarga eléctrica

Desconecte la alimentación eléctrica antes de instalar el lavavajillas.

Si no lo hace podría producirse una descarga eléctrica, e incluso la muerte.

⚠ Atención

La instalación de las tuberías y los equipos eléctricos debe correr a cargo de profesionales.

Acerca de la conexión eléctrica

⚠ ADVERTENCIA

Por la seguridad personal:

- No use un alargador ni un adaptador con este aparato.
- Bajo ninguna circunstancia corte ni retire la conexión a tierra del cable de alimentación.

Requisitos eléctricos

Observe la etiqueta de clasificación para saber la tensión nominal y conectar el lavavajillas a la fuente de alimentación adecuada. Use el fusible necesario, de 10A/13A/16A, un fusible de retardo temporal o un cortocircuito recomendado e incluya un circuito independiente que sirva solamente para este aparato.

Conexión eléctrica

Asegúrese de que la tensión y la frecuencia de la alimentación se corresponden con las que aparecen en la placa identificativa. Inserte el enchufe únicamente en una toma eléctrica puesta a tierra convenientemente. Si la toma eléctrica a la que ha de conectarse el aparato no es adecuada para el enchufe, sustituya la toma, en lugar de usar adaptadores o similares, ya que podrían sobrecalentarse y causar quemaduras.

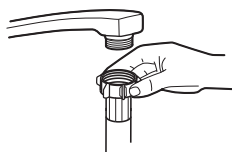
⚠ **Asegúrese de que existe una puesta a tierra adecuada antes de usar el aparato**

Consumo de agua y drenaje

Conexión de agua fría

Conecte el suministro de agua fría a un conector roscado de 3/4 (pulgadas) y asegúrese de que está apretado firmemente en su posición.

Si las tuberías de agua son nuevas o no se han utilizado durante mucho tiempo, deje el agua correr para asegurarse de que sale limpia. Es necesario tomar esta precaución para evitar el riesgo de que la entrada de agua se bloquee y dañe el aparato.



manguera de suministro ordinaria



manguera de suministro de seguridad

Acerca de la manguera de suministro de seguridad

La manguera de suministro de seguridad se compone de paredes dobles. El sistema de la manguera garantiza su intervención bloqueando el flujo de agua en caso de rotura de la manguera de suministro y cuando el espacio de aire entre la manguera de suministro propiamente dicha y la manguera corrugada exterior se llena de agua.

⚠ ADVERTENCIA

Una manguera que se acopla al rociador del fregadero, puede reventar si se instala en la misma línea de agua que el lavavajillas. Si su fregadero tiene uno, se recomienda desconectar la manguera y tapar el orificio.

Cómo conectar la manguera de suministro de seguridad

1. Tire de las mangueras de suministro de seguridad completamente para extraerlas del compartimento situado en la parte posterior del lavavajillas.
2. Apriete los tornillos de la manguera de suministro de seguridad a la llave de agua, con rosa de 3/4 pulgadas.
3. Abra el agua completamente antes de poner en marcha el lavavajillas.

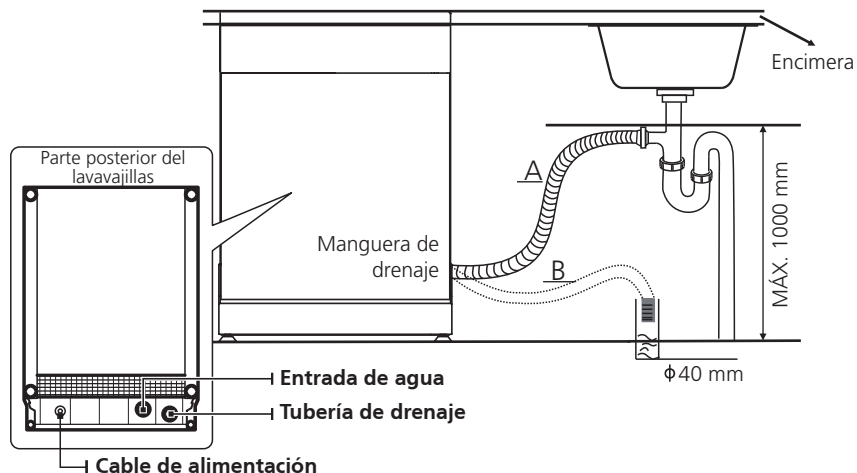
Cómo desconectar la manguera de suministro de seguridad

1. Cierre el suministro de agua.
2. Desatornille la manguera de suministro de seguridad de la llave de agua.

Conexión de las mangueras de drenaje

Inserte la manguera de drenaje en una tubería de drenaje con un diámetro mínimo de 4 cm, o deje que corra por el sumidero, asegurándose de que no se doble ni se enrolle. La altura de la tubería de drenaje debe ser inferior a 1000 mm. El extremo libre de la manguera no debe sumergirse en agua para evitar el retorno del flujo.

⚠ Fije con seguridad la manguera de drenaje en la posición A o en la posición B.



Cómo drenar el exceso de agua de las mangueras

Si el sumidero está 1000 mm por encima del suelo, el exceso de agua de las mangueras no podrá drenarse directamente al sumidero. Será necesario drenar el exceso de agua de las mangueras en un recipiente o un depósito adecuado, fuera del sumidero y más bajo.

Salida de agua

Conecte la manguera de drenaje del agua. La manguera de drenaje debe acoplarse correctamente para evitar fugas de agua. Asegúrese de que la manguera de drenaje de agua no está presionada ni aplastada.

Manguera de extensión

Si necesita una extensión para la manguera de drenaje, asegúrese de utilizar una manguera de drenaje similar. No debe medir más de 4 metros, o el efecto de limpieza del lavavajillas podría verse reducido.

Conexión del sifón

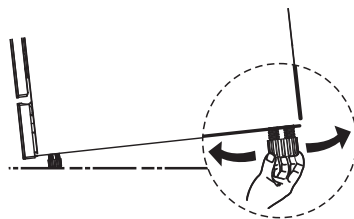
La conexión para residuos debe estar a una altura inferior a 100 cm (máximo) desde la parte inferior del lavavajillas. La manguera de drenaje de agua debe estar fijada.

Colocación del aparato

Coloque el aparato en la posición deseada. La parte posterior debe reposar sobre la pared tras él, y los laterales, a lo largo de los muebles o paredes adyacentes. El lavavajillas está equipado con mangueras de suministro de agua y de drenaje que se pueden colocar a la derecha o a la izquierda, para facilitar una instalación adecuada.

Nivelado del aparato

Una vez colocado el aparato para ser nivelado, la altura del lavavajillas se puede alterar ajustando el nivel de rosca de las patas. En cualquier caso, el aparato no debe inclinarse más de 2°.



💡 NOTA:

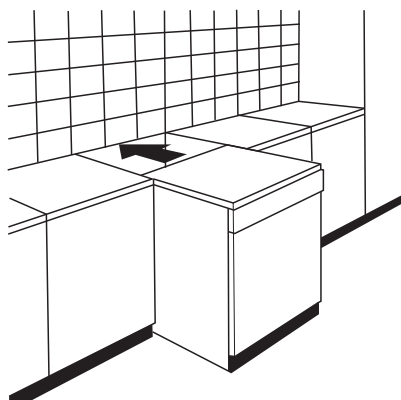
Esto solo es válido para los lavavajillas independientes.

Instalación independiente

Encaje entre los armarios existentes

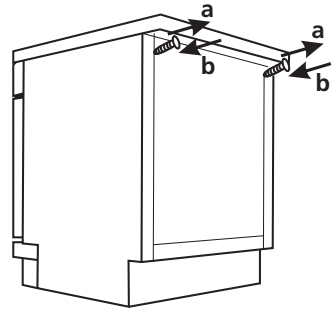
La altura del lavavajillas, 845 mm, se ha diseñado de forma que permita encajar la máquina entre los armarios existentes de la misma altura en cocinas modernas. Las patas se pueden ajustar para lograr la altura deseada.

La parte superior laminada de la máquina no requiere ningún cuidado en particular ya que es a prueba de calor, de arañazos y de manchas.



Debajo de la encimera existente

(Cuando se encaja bajo una encimera) En la mayoría de las cocinas modernas solo hay una encimera bajo la que se acoplan los armarios y los electrodomésticos. En este caso, retire la parte superior del lavavajillas desatornillando los tornillos bajo el borde posterior de la parte superior **(a)**.



⚠ Atención

Una vez retirada la parte superior, los tornillos deben volver a colocarse bajo el borde posterior de la parte superior **(b)**.

La altura se reducirá entonces a 815 mm, que es lo establecido por las normativas internacionales (ISO) y el lavavajillas encajará perfectamente bajo la encimera de la cocina.

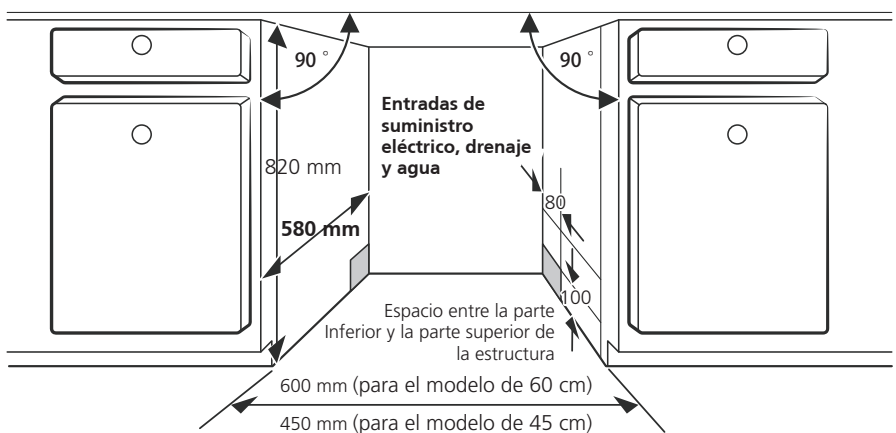
Instalación integrada (para el modelo integrado)

Paso 1. Selección del mejor lugar para el lavavajillas

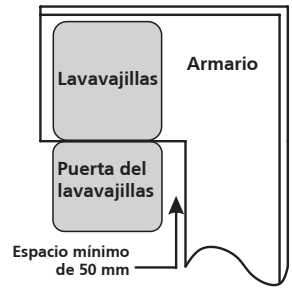
El lugar de instalación del lavavajillas debe ser cerca de una entada de agua, mangueras de drenaje y un cable de alimentación.

Ilustraciones de las dimensiones de la estructura y posición de instalación del lavavajillas.

1. Menos de 5 mm entre la parte superior del lavavajillas y el armario y la puerta exterior, alineada a la estructura.



2. Si el lavavajillas se coloca en la esquina del armario, debe dejarse algún espacio para abrir la puerta.



NOTA:

Dependiendo de donde esté la toma eléctrica, podría necesitar hacer un orificio en la parte opuesta del armario.

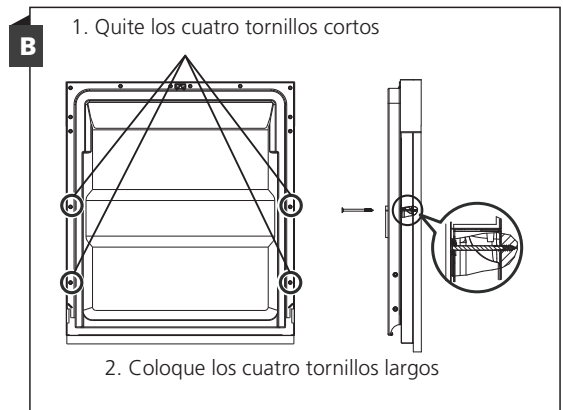
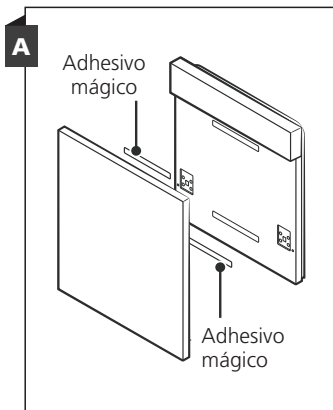
Paso 2. Dimensiones del panel estético e instalación



El panel estético de madera puede colocarse según los planos de instalación.

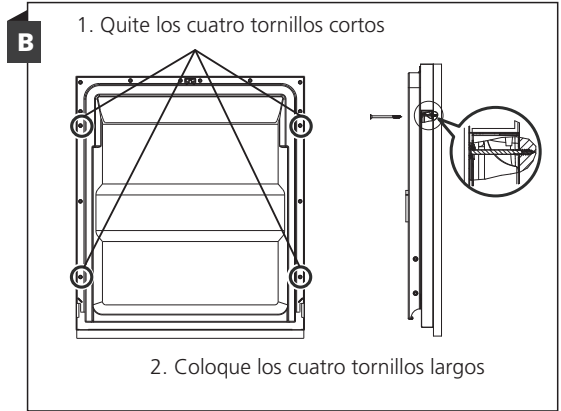
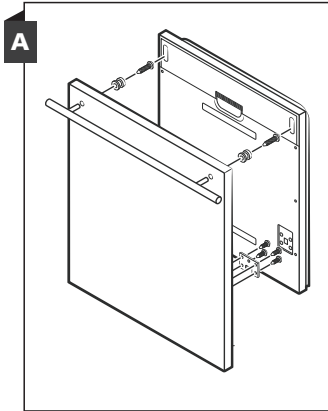
Modelo semi-integrado

Adhesivo mágico A y adhesivo mágico B por separado, el adhesivo A en el panel de madera y el adhesivo B en el exterior de la puerta del lavavajillas (vea la figura A). Una vez colocado el panel, fíjelo al exterior de la puerta con tornillos y pernos (vea la figura B).



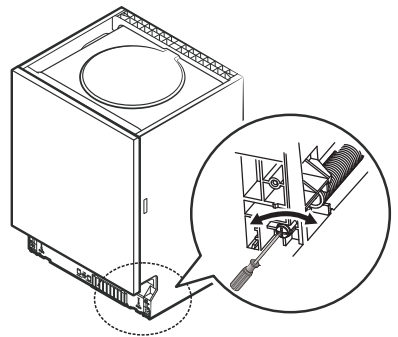
Modelo totalmente integrado

Instale el gancho del panel estético de madera y colóquelo en la ranura de la puerta del lavavajillas (vea la figura A). Una vez colocado el panel, fíjelo al exterior de la puerta con tornillos y pernos (vea la figura B).



Paso 3. Ajuste de la tensión del muelle de la puerta

1. Los muelles de la puerta se suministran de fábrica con la tensión adecuada para la puerta. Si se instala un panel estético, deberá ajustar la tensión de los muelles. Gire el tornillo de ajuste para tensar o relajar el cable de acero.
2. La tensión del muelle de la puerta será correcta cuando la puerta permanezca en posición horizontal cuando esté totalmente abierta, pero se eleve para cerrarse con un ligero empuje con un dedo.

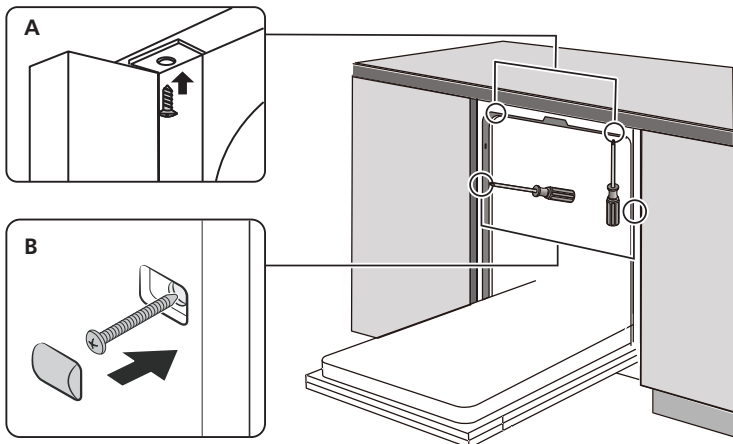


Paso 4. Pasos para la instalación del lavavajillas



Consulte los pasos específicos en las ilustraciones sobre la instalación.

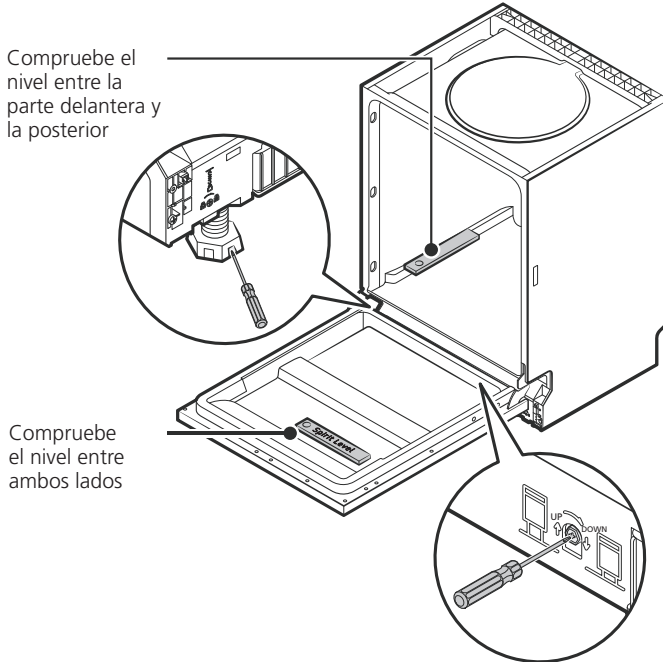
1. Fije la tira de condensación bajo la encimera del armario. Asegúrese de que la tira de condensación está a ras de la encimera. (Paso 2)
2. Conecte la manguera de entrada al suministro de agua fría.
3. Conecte la manguera de drenaje.
4. Conecte el cable de alimentación.
5. Coloque el lavavajillas en su posición. (Paso 4)
6. Nivelar el lavavajillas. La pata posterior se puede ajustar desde la parte delantera del lavavajillas girando el tornillo Philips en el centro de la base, usando un tornillo Philips. Para ajustar las patas frontales, use un destornillador de cabeza plana y gire las patas frontales hasta que el lavavajillas esté nivelado. (Paso 5 a Paso 6)
7. Instale la puerta del mueble en el exterior de la puerta del lavavajillas. (Paso 7 a Paso 10)
8. Ajuste la tensión de los muelles de la puerta con una llave Allen, girando hacia la derecha para apretar los muelles izquierdo y derecho de la puerta. Si no lo hace, podría dañarse el lavavajillas. (Paso 11)
9. El lavavajillas debe fijarse en su posición. Hay dos formas de hacerlo:
 - A. Encimera normal: Coloque el gancho de instalación en la ranura del plano lateral y fíjelo en la encimera con tornillos para madera.
 - B. Encimera de mármol o granito: Fije el lateral con el tornillo.



Paso 5. Nivelar el lavavajillas

El lavavajillas debe estar nivelado para funcionar correctamente y lavar bien.

1. Coloque un nivel de burbuja en la puerta y la bandeja interior dentro de la cuba, como se muestra, para comprobar que el lavavajillas está nivelado.
2. Nivele el lavavajillas ajustando las tres patas niveladoras por separado.
3. Al nivelar el lavavajillas, preste atención para evitar que vuelque.



🔦 **NOTA:**

La altura de ajuste máxima de las patas es de 50 mm.

CONSEJOS DE RESOLUCIÓN DE PROBLEMAS

Antes de llamar al servicio técnico

Revisar las páginas siguientes puede ahorrarle llamar al servicio técnico.

Problema	Posibles causas	Qué hacer
El lavavajillas no se pone en marcha.	Fusible fundido, o fallo de corriente en el cortocircuito.	Sustituya el fusible o resetee el cortocircuito. Quite cualquier otro aparato que esté compartiendo el mismo circuito con el lavavajillas.
	La alimentación no se enciende.	Asegúrese de que el lavavajillas está encendido y que la puerta está bien cerrada. Asegúrese de que el cable de alimentación está bien conectado a la toma de pared.
	La presión de agua es baja.	Compruebe que el suministro de agua está conectado adecuadamente y la llave de agua está abierta.
	La puerta del lavavajillas no está bien cerrada.	Asegúrese de cerrar la puerta correctamente.
No se bombea agua desde el lavavajillas.	La manguera de drenaje está torcida o aplastada.	Compruebe la manguera de drenaje.
	Filtro obstruido.	Compruebe la suciedad del filtro.
	El sumidero de la cocina está obstruido.	Compruebe el sumidero de la cocina para asegurarse de que está drenando bien. Si el problema es que el sumidero de la cocina no drena bien, podría necesitar a un fontanero más que a un reparador de lavavajillas.
Espuma en la cuba	Detergente inadecuado.	Use solo detergentes especial para lavavajillas, para evitar la formación de espuma. Si esto ocurre, abra el lavavajillas y deje que la espuma se evapore. Vierta 4 litros de agua fría en la parte inferior del lavavajillas. Cierre la puerta del lavavajillas y seleccione un ciclo de lavado. Inicialmente, el lavavajillas drenará todo el agua. Abra la puerta tras la fase de drenaje y compruebe que la espuma ha desaparecido. Repita el proceso si es necesario.

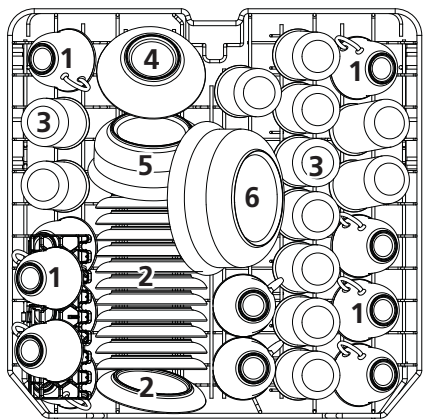
Problema	Posibles causas	Qué hacer
	El abrillantador se ha derramado.	Limpie siempre con un paño el abrillantador que se haya derramado inmediatamente.
Manchas en el interior de la cuba	Puede haberse utilizado detergente con colorante.	Asegúrese de que el detergente no lleva colorante.
Película blanquecina en la superficie interior.	Minerales duros en el agua.	Para limpiar el interior, use una esponja humedecida con detergente para lavavajillas y use guantes de goma. Nunca use otro limpiador que no sea detergente para lavavajillas, o podría generarse espuma.
Manchas de óxido en los cubiertos.	Los objetos afectados no son resistentes a la corrosión.	Evite lavar artículos que no sean resistentes a la corrosión en el lavavajillas.
	No se ha puesto en marcha un programa después de añadir sal para lavavajillas. Se han metido restos de sal en el ciclo de lavado.	Ponga siempre un programa de lavado sin vajilla después de añadir sal. No seleccione la función Turbo (si la hubiera), después de añadir sal para lavavajillas.
	La tapa del suavizante está floja.	Compruebe que la tapa del suavizante está bien fijada.
Ruido de golpeteo en el lavavajillas.	Un brazo pulverizador está chocando con algún objeto de la cesta.	Detenga el programa y coloque los objetos que estén obstruyendo el brazo.
Ruido de traqueteo en el lavavajillas.	Objetos de vajilla sueltos en el lavavajillas.	Detenga el programa y coloque los objetos de vajilla.
Ruido de golpeteo en las tuberías de agua.	Puede estar causado por la instalación in situ o la sección transversal de las tuberías.	No influye en el funcionamiento del lavavajillas. En caso de duda, póngase en contacto con un fontanero cualificado.
Los platos no salen limpios.	Los platos no se colocaron correctamente.	Consulte el APARTADO II "Preparación y carga de los platos".
	El programa no era lo suficientemente potente.	Seleccione un programa más intensivo.

Problema	Posibles causas	Qué hacer
Los platos no salen limpios.	No se ha puesto suficiente detergente.	Ponga más detergente o cambie de detergente.
	Hay objetos bloqueando el movimiento de los brazos pulverizadores.	Coloque los objetos para que el brazo pulverizador pueda girar libremente.
	La combinación de filtrado no está limpia o no se acoplado correctamente a la base de la estructura de lavado. Esto puede hacer que los orificios del brazo pulverizador se bloqueen.	Limpie o coloque el filtro correctamente. Limpie los orificios del brazo pulverizador.
Los objetos de cristal quedan opacos.	Combinación de agua blanda y demasiado detergente.	Use menos detergente si el agua de su zona es blanda y seleccione otro ciclo más corto para lavar los objetos de vidrio y que queden limpios.
Los platos y vasos presentan manchas blancas.	El agua dura de su zona puede hacer que se deposite la cal.	Añada más detergente.
Marcas negras o grises en los platos.	Los utensilios de aluminio se han rozado con los platos.	Use un limpiador abrasivo suave para eliminar esas marcas.
Queda detergente en el dispensador.	Los platos bloquean el dispensador de detergente.	Coloque los platos correctamente.
Los platos no están secos.	Los platos se han colocado incorrectamente.	Cargue el lavavajillas como se sugiere en las instrucciones.
	Ha sacado los platos demasiado pronto.	No vacíe el lavavajillas inmediatamente después del lavado. Abra la puerta ligeramente para que salga el vapor. Saque los platos cuando la temperatura interior sea segura. Saque primero la cesta inferior para evitar que caiga agua de la cesta superior.

Problema	Posibles causas	Qué hacer
Los platos no están secos.	Se ha seleccionado un programa inadecuado.	Con un programa corto, la temperatura de lavado es más baja, reduciendo el rendimiento de la limpieza. Elija un programa con una mayor duración de lavado.
	Uso de cubiertos con un recubrimiento de baja calidad.	El drenaje de agua es más difícil con estos objetos. Los cubiertos o los platos de este tipo no son adecuados para lavarlos en el lavavajillas.

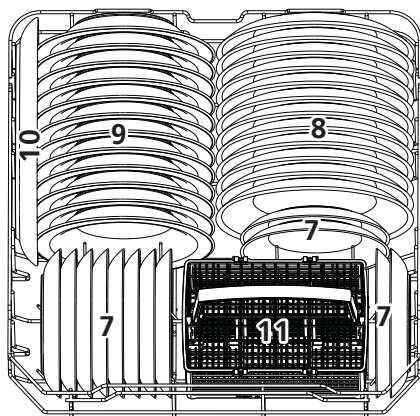
CARGA DE LAS CESTAS CONFORME A LA NORMA EN50242:

1. Cesta superior:



Número	Artículo
1	Tazas
2	Cazos
3	Vasos
4	Cuencos de servir pequeños
5	Cuencos de servir medianos
6	Cuencos de servir grandes

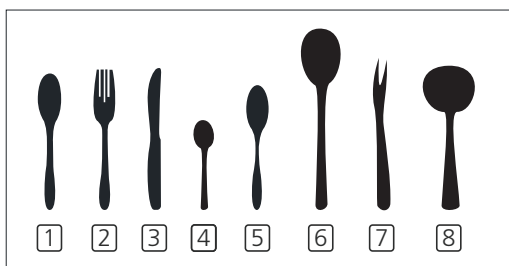
2. Cesta inferior:



Número	Artículo
7	Platos de postre
8	Platos llanos
9	Platos hondos
10	Fuentes ovaladas
11	Cesto para cubiertos

3. Cesto para cubiertos:

1	2	1		4	4	4	4	4	4		1	2	1
2	2	2			8			7		3	3		2
1	2	1		4	4	4	4	4	4		1	3	1
1	2	1		5	5	5	5	5	5		3	3	3
2	2	2			3			3		3	3	3	3
1	2	1		5	5	5	5	5	5		6		6



La información para la prueba de compatibilidad cumple con la norma EN 50242

Capacidad: 12 ajustes de colocación

Posición de la cesta superior: posición inferior

Programa: ECO

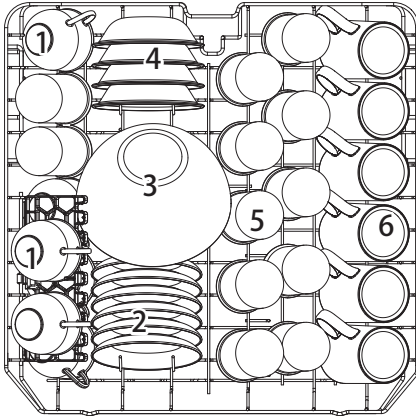
Ajuste del abrillantador: **Max**

Ajustes del suavizante: H3

Número	Artículo
1	Cucharas de sopa
2	Tenedores
3	Cuchillos
4	Cucharillas de café
5	Cucharillas de postre
6	Cucharas de servir
7	Tenedores de servir
8	Cacillos para salsas

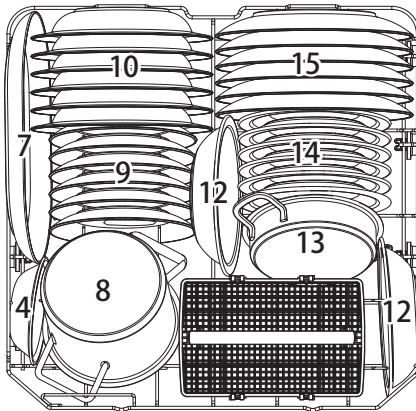
CARGA DE LAS CESTAS CONFORME A LA NORMA EN60436:

1. Cesta superior:



Número	Artículo
1	Tazas
2	Platillos
3	Tazones de cristal
4	Tazones de postre
5	Cristales
6	Tazas

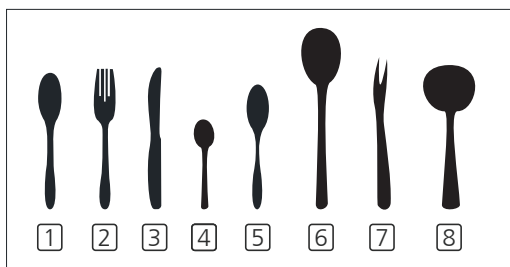
2. Cesta inferior:



Número	Artículo
7	Plato fondo
8	Ollas pequeñas
9	Platos de postre
10	Platos de sopa
11	Cesta de cubiertos
12	Tazón de melamina
13	olla de hierro fundido
14	Platos de postre de melamina
15	Platos de la cena

3. Cesto para cubiertos:

1	2	1		4	4	4	4	4	4		1	2	1
2	2	2			8			7		3	3		2
1	2	1		4	4	4	4	4	4		1	3	1
1	2	1		5	5	5	5	5	5		3	3	3
2	2	2			3			3		3	3	3	3
1	2	1		5	5	5	5	5	5		6		6



La información para la prueba de compatibilidad cumple con la norma EN 60436

Capacidad: 12 ajustes de colocación

Posición de la cesta superior: posición inferior

Programa: ECO

Ajuste del abrillantador Max

Ajustes del suavizante: H3

Número	Artículo
1	Cucharas de sopa
2	Tenedores
3	Cuchillos
4	Cucharillas de café
5	Cucharillas de postre
6	Cucharas de servir
7	Tenedores de servir
8	Cacillos para salsas

ÍNDICE

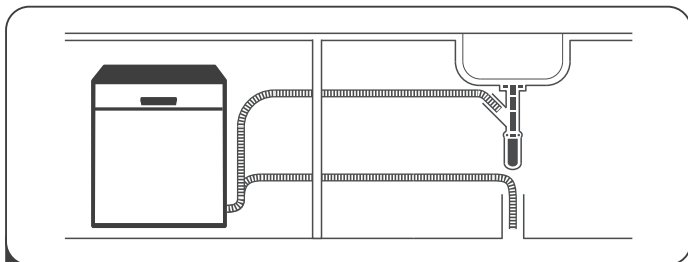
01	4 USO DEL LAVAVAJILLAS
	4 Panel de control
	6 Suavizante para el agua
	7 Preparación e introducción de la vajilla
	10 Funcionamiento del abrillantador y el detergente
	11 Llenado del depósito de abrillantador
	12 Llenado del dispensador de detergente
	13 PROGRAMAR EL LAVAVAJILLAS
02	13 Tabla de ciclos de lavado
	15 Puesta en marcha del ciclo de lavado
	15 Cambiar el programa a mitad del ciclo
	16 ¿Ha olvidado meter algo?
03	17 CÓDIGOS DE ERROR
04	18 INFORMACIÓN TÉCNICA

NOTA:

- Si no puede solucionar algún problema, pida ayuda a un técnico profesional.
- El fabricante, siguiendo su política de desarrollo y actualización constantes del producto, podría hacer modificaciones sin previo aviso.
- Si lo pierde o se queda obsoleto, puede solicitar un manual de usuario nuevo al fabricante o al vendedor.

GUÍA RÁPIDA

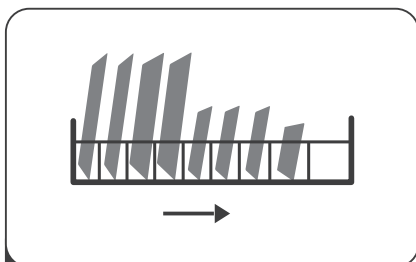
Lea el contenido correspondiente del manual de instrucciones para conocer el funcionamiento en mayor detalle.



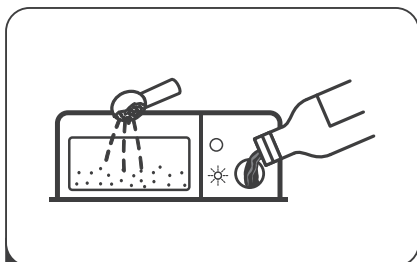
- 1** Instalación del lavavajillas
(Consulte la Sección 5 "INSTRUCCIONES DE INSTALACIÓN" en el APARTADO I: Versión genérica).



- 2** Retirar la suciedad más visible de los cubiertos



- 3** Cargar las cestas



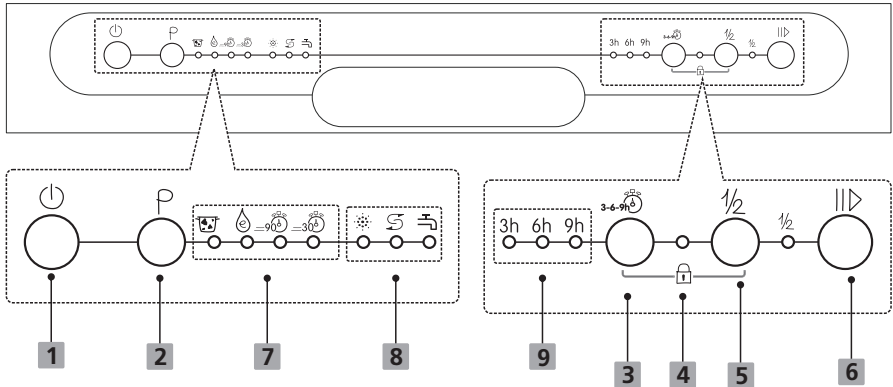
- 4** Llenar el dispensador



- 5** Seleccionar un programa y poner en marcha el lavavajillas

USO DEL LAVAVAJILLAS




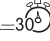




Panel de control



Funcionamiento (Botón)

1 Potencia	Pulse este botón para encender el lavavajillas, la pantalla se encenderá.
2 Programa	Seleccione el programa de lavado adecuado y el indicador del programa seleccionado se iluminará.
3 Retraso	Presione el botón para configurar el tiempo de retardo, se encenderá el indicador correspondiente.
4 Diferido	Presione el botón para retrasar el lavado.
5 Media carga	para seleccionar función media carga.
6 Inicio/Pausa	Presionar el botón para iniciar o pausar el ciclo de lavado.

Pantalla

<p>7 Indicador del programa</p>	<p> Intensivo Artículos muy sucios, incluyendo ollas y sartenes. Con comida seca pegada.</p> <p> ECO Es el programa estándar adecuado para cargas con una suciedad normal, como ollas, platos, vasos y sartenes ligeramente sucias.</p> <p> 90 min Para cargas con una suciedad normal que deben lavarse rápidamente.</p> <p> Rápido Un programa de lavado más corto para cargas ligeramente sucias que no necesitan secarse.</p>
<p>8 Indicador de advertencia</p>	<p> Abrillantador Si se enciende el indicador "☀", significa que queda poco abrillantador y debe rellenarse el depósito.</p> <p> Sal Si se enciende el indicador "♂", significa que queda poca sal y debe rellenarse el depósito.</p> <p> Grifo  El indicador está encendido, significa que el grifo de agua está cerrado.</p>
<p>9 Tiempo de retardo</p>	<p>Para mostrar el tiempo de retardo (3h / 6h / 9h).</p>

Suavizante para el agua

El suavizante para el agua se debe seleccionar manualmente, con el selector de la dureza del agua.

El suavizante para el agua se ha diseñado para eliminar las sales y los minerales del agua, que pudieran tener un efecto negativo en el funcionamiento del aparato.

Cuanto más minerales contiene, más dura es el agua.

El suavizante debe ajustarse conforme a la dureza del agua de su zona.

Su empresa de aguas local podrá asesorarle sobre la dureza del agua de su zona.

Ajuste del consumo de sal

El lavavajillas ha sido diseñado para permitir el ajuste en la cantidad de sal consumida basándose en la dureza del agua utilizada. La intención es optimizar y adaptar el nivel de consumo de sal.

Siga estos pasos para ajustar el consumo de sal

1. Encendido del aparato;
2. Pulse el botón de Inicio/Pausa durante más de 5 segundos para iniciar el modelo de ajuste del suavizante del agua en los 60 segundos siguientes al encendido del aparato;
3. Pulse el botón Inicio/Pausa para seleccionar el ajuste adecuado dependiendo de su entorno local, los ajustes cambiarán en la secuencia siguiente:
H1->H2->H3->H4->H5->H6;
4. Pulse el botón de Alimentación para finalizar el modelo de configuración.

DUREZA DEL AGUA				Nivel de ablandador de agua	Consumo de sal (gram/cycle)
German °dH	French °fH	British °Clarke	Mmol/l		
0 - 5	0 - 9	0 - 6	0 - 0.94	H1-> Parpadeo de Indicadors de Rápido	0
6 - 11	10 - 20	7 - 14	1.0 - 2.0	H2-> Parpadeo de Indicadors de 90min	9
12 - 17	21 - 30	15 - 21	2.1 - 3.0	H3-> Parpadeo de Indicadors de Rápido y 90min	12
18 - 22	31 - 40	22 - 28	3.1 - 4.0	H4-> Parpadeo de Indicadors de ECO	20
23 - 34	41 - 60	29 - 42	4.1 - 6.0	H5-> Parpadeo de Indicadors de Rápido y ECO	30
35 - 55	61 - 98	43 - 69	6.1 - 9.8	H6-> Parpadeo de Indicadors de 90min y ECO	60

1 °dH = 1,25 ° Clarke = 1,78 °fH = 0,178 mmol/l

Ajuste de fábrica: H3

Póngase en contacto con la empresa de aguas de su localidad para obtener información sobre la dureza de su suministro de agua.



Revise la Sección 3 “Carga de sal en el suavizante” del APARTADO I: Versión genérica, si su lavavajillas no tiene sal.



NOTA:

Si su modelo no lleva suavizante para el agua, puede saltarse esta sección. Suavizante para el agua

La dureza del agua varía de un lugar a otro. Si se utiliza agua dura con el lavavajillas, se formarán depósitos en los platos y demás utensilios.

El aparato está equipado con un suavizante especial, que utiliza un recipiente de sal específicamente diseñado para eliminar la cal y los minerales del agua.

Preparación e introducción de la vajilla

- Cuando compre utensilios, preste atención a que se puedan meter en el lavavajillas.
- En algunos casos particulares, seleccione un programa con la temperatura más baja posible.
- Para evitar daños, no saque los objetos de vidrio ni los cubiertos del lavavajillas inmediatamente después de que finalice el programa.

Para lavar los cubiertos/platos

No son adecuados

- Cubiertos con madera, porcelana abocinada o asas de nácar
- Artículos de plástico que no sean resistentes al calor
- Cubiertos antiguos con piezas pegadas que no sean resistentes a la temperatura
- Cubiertos o platos con piezas unidas
- Artículos de peltre o cobre
- Artículos de cristal
- Artículos de acero que se puedan oxidar
- Platos de madera
- Artículos hechos de fibras sintéticas

Presentan ciertas limitaciones

- Algunos tipos de cristal que se puede volver opaco tras una serie de lavados
- Los componentes de plata y aluminio tienden a decolorarse durante el lavado
- Los patrones de vidrio pueden perder desvanecerse si se lavan con frecuencia

Recomendaciones para llenar el lavavajillas

Retire los restos de alimentos de tamaño considerable. Reblandezca los restos de comida quemada de sartenes y ollas. No es necesario aclarar los platos bajo el grifo. Para lograr un mejor rendimiento del lavavajillas, siga estas instrucciones de carga.

(Las características y apariencia de las cestas y el cesto para cubiertos pueden variar dependiendo del modelo).

Coloque los objetos en el lavavajillas de la siguiente forma:

- Elementos como copas, vasos, ollas/sartenes, etc. deben mirar hacia abajo.
- Elementos curvados o con huecos, deben colocarse en posición oblicua para que el agua pueda resbalar por ellos.
- Todos los utensilios han de apilarse de manera segura para que no puedan volcar.
- Todos los utensilios se colocarán de tal forma que los brazos pulverizadores puedan girar libremente durante el lavado.
- Cargue los elementos con cavidades como copas, vasos, ollas, etc. con la apertura hacia abajo para que el agua no pueda acumularse en el recipiente ni en la base.
- Los platos y cubiertos no deben ir uno dentro de otro, ni cubrirse entre sí.
- Para evitar daños, los vasos no deben tocarse entre sí.
- La cesta superior ha sido diseñada para colocar los elementos más delicados y ligeros, como vasos, tazas de café y de té.
- Los cuchillos de hoja larga colocados mirando hacia arriba suponen un riesgo potencial.
- Los elementos largos o afilados como los cuchillos deben colocarse horizontalmente en la cesta superior.
- No sobrecargue el lavavajillas. Es importante para lograr buenos resultados y un consumo energético razonable.



NOTA:

Los elementos muy pequeños no deben lavarse en el lavavajillas, ya que podrían caerse de la cesta con facilidad.

Extracción de la vajilla

Para evitar que el agua gotee desde la cesta superior en la cesta inferior, se recomienda vaciar la cesta inferior en primer lugar, seguida de la cesta superior.

ADVERTENCIA



¡ Lo que saque estará caliente! Para evitar daños, no saque los objetos de vidrio ni los cubiertos del lavavajillas hasta unos 15 minutos después de que finalice el programa.

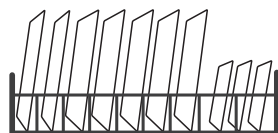
Carga en la cesta superior

La cesta superior ha sido diseñada para los elementos más delicados, como el vidrio, las tazas de café y té y los cazos, así como platos, cuencos pequeños y ollas poco profundas (siempre que no estén demasiado sucias). Coloque los platos y cacerolas de modo que no se muevan al aplicarles el chorro de agua.



Carga en la cesta inferior

Se recomienda colocar los artículos de mayor tamaño y más difíciles de limpiar en la cesta inferior: ollas, sartenes, tapas, fuentes y cuencos, como se muestra en la figura a continuación. Es preferible colocar las fuentes y las tapas en el lateral de las cestas, para evitar bloquear el giro del brazo pulverizador superior. El diámetro máximo recomendado para los platos delante del dispensador de detergente es de 19 cm, para no obstaculizar su apertura.



Carga del cesto para cubiertos

Los cubiertos deben colocarse en el cesto para cubiertos independiente, separado entre sí y las posiciones adecuadas, y asegurándose de que los utensilios no se rozan, ya que podrían no quedar bien limpios.

⚠ ADVERTENCIA



No deje que ningún utensilio sobresalga por la parte inferior. Deje siempre los utensilios afilados con la punta hacia abajo.



Para lograr un mejor efecto de lavado, cargue las cestas según las instrucciones de carga estándar de la última Sección, APARTADO I: Versión genérica

Funcionamiento del abrillantador y el detergente

El abrillantador se libera durante el aclarado final para evitar que el agua forme gotas sobre los platos, dejando manchas y rastros. También mejora el secado, haciendo que el agua resbale por los platos. El lavavajillas ha sido diseñado para usar abrillantador líquido.

⚠ ADVERTENCIA

Use solamente un abrillantador de marca para el lavavajillas. Nunca llene el dispensador del abrillantador con ninguna otra sustancia (como limpia-lavavajillas o detergente líquido).

Se podría dañar el aparato.

Cuándo rellenar el dispensador del abrillantador

Salvo que la luz de advertencia del abrillantador (☼) esté encendida en el panel de control, siempre podrá estimar la cantidad a partir del color del indicador de nivel situado junto a la tapa.

Si el depósito del abrillantador está lleno, el indicador estará totalmente oscuro. El tamaño del punto oscuro se irá reduciendo a medida que disminuye la cantidad de abrillantador. No debe dejar que el nivel del abrillantador caiga por debajo de 1/4.

Al disminuir el nivel, el tamaño del punto oscuro en el indicador de nivel del abrillantador cambiará, como se ilustra a continuación.



● Lleno ● 3/4 lleno ● 1/2 lleno ● 1/4 lleno ○ Vacío

Función del detergente

Los ingredientes químicos que componen el detergente son necesarios para arrancar, deshacer y eliminar toda la suciedad del lavavajillas. La mayoría de los detergentes comerciales son adecuados para este fin.

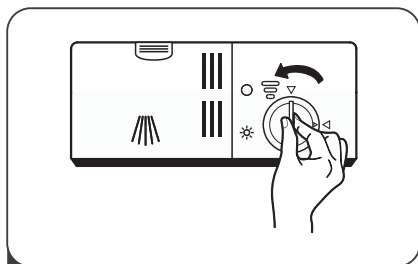
⚠ ADVERTENCIA

- Uso adecuado del detergente
Use solamente detergente fabricado expresamente para su uso en lavavajillas. Consérvelo en un lugar fresco y seco.
No ponga el detergente en polvo en el dispensador hasta el momento justo en que vaya a lavar los platos.

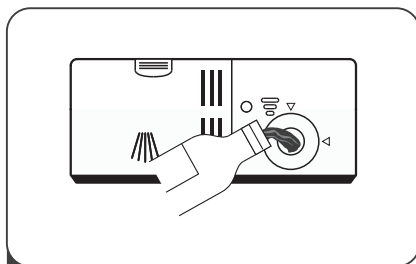


El detergente para lavavajillas es corrosivo. Manténgalo alejado del alcance de los niños.

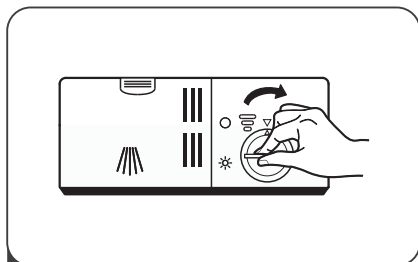
Llenado del depósito de abrillantador



1 Quite la tapa del depósito de abrillantador girándola hacia la izquierda.



2 Vierta el abrillantador con cuidado en el dispensador, evitando que se desborde.

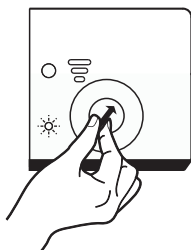


3 Cierre la tapa del depósito de abrillantador girándola hacia la derecha.

🔦 **NOTA:**

Limpie el abrillantador que se haya podido derramar con un paño absorbente para evitar el exceso de espuma durante el próximo lavado.

Ajuste del depósito de abrillantador

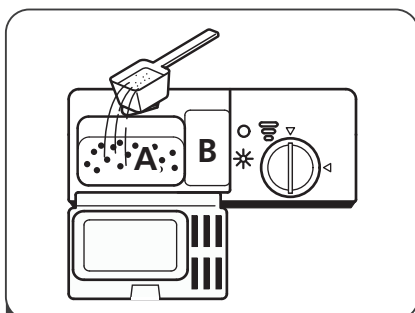


Gire el indicador del abrillantador hasta un número entre el 1 y el 6. Cuanto mayor sea el número, más abrillantador se utilizará. Si los platos no se están secando correctamente o presentan manchas, ajuste el dial al número inmediatamente superior hasta que deje de ocurrir. Reduzca el número si los platos presentan manchas blanquecinas pegajosas o una película azulada en los vasos o cuchillos.

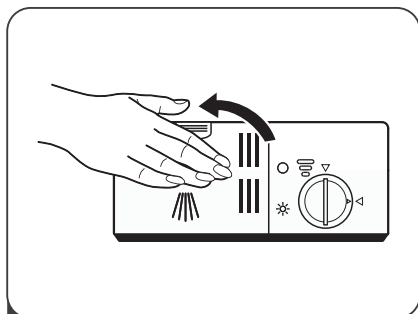
Llenado del dispensador de detergente



- 1 Pulse el gancho de liberación del dispensador de detergente para abrir la tapa.



- 2 Añada detergente en la cavidad de mayor tamaño (A) para el ciclo de lavado principal. Para cargas más sucias, añada también algo de detergente en la cavidad más pequeña (B) para el ciclo de prelavado.



- 3 Cierre la tapa y presione hasta que quede bloqueada en su posición.

NOTA:





- Tenga en cuenta que, dependiendo de la polución del agua, el ajuste puede ser diferente.
- Cumpla con las recomendaciones del fabricante en el envase del detergente.

PROGRAMAR EL LAVAVAJILLAS

Tabla de ciclos de lavado

En la siguiente tabla se muestra qué programas son mejores para los niveles de residuos de alimentos y cuánto detergente es necesario. También se muestra información variada sobre los programas.

(●) significa que es necesario rellenar el dispensador del abrillantador.

Programa	Descripción del ciclo	Detergente prelavado/ principal	Tiempo de funcionamiento (min)	Energía (kW/h)	Agua (l)	Abrillantador
 Intensivo	Prelavado (50 °C)					
	Lavado (65 °C)					
	Aclarado	$\frac{5}{25}$ g	205	1,621	17,8	●
	Aclarado	(1 o 2 unidad)				
	Aclarado (65 °C) Secado					
 ECO (*EN 50242)	Prelavado					
	Lavado (45 °C)					
	Aclarado (60 °C)	$\frac{5}{25}$ g	230	0,908	11	●
	Aclarado	(1 o 2 unidad)				
 90 min	Lavado (60 °C)					
	Aclarado	$\frac{30}{30}$ g	90	1,35	11,5	●
	Aclarado (65 °C)	(1 unidad)				
	Secado					
 Rápido	Lavado (50 °C)					
	Aclarado	25 g	30	0,751	11.2	○
	Aclarado (45 °C)					

Nota:



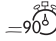

EN 50242: Este programa es el ciclo de prueba. La información para la prueba de compatibilidad cumple con la norma EN 50242.

PROGRAMAR EL LAVAVAJILLAS

Tabla de ciclos de lavado

En la siguiente tabla se muestra qué programas son mejores para los niveles de residuos de alimentos y cuánto detergente es necesario. También se muestra información variada sobre los programas.

(●) significa que es necesario rellenar el dispensador del abrillantador.

Programa	Descripción del ciclo	Detergente prelavado/principal	Tiempo de funcionamiento (min)	Energía (kW/h)	Agua (l)	Abrillantador
 Intensivo	Prelavado (50 °C)					
	Lavado (65 °C)					
	Aclarado	$\frac{4/16 \text{ g}}$	205	1,621	17,8	●
	Aclarado	(1 o 2 unidad)				
	Aclarado (65 °C)					
	Secado					
 ECO (EN 60436)	Prelavado					
	Lavado (45 °C)	$\frac{4/16 \text{ g}}$	230	0,923	11	●
	Aclarado (60 °C)	(1 o 2 unidad)				
	Aclarado					
	Secado					
 90 min	Lavado (60 °C)	$\frac{20 \text{ g}}$				
	Aclarado	(1 unidad)	90	1,35	11,5	●
	Aclarado (65 °C)					
	Secado					
 Rápido	Lavado (50 °C)	$\frac{20 \text{ g}}$				
	Aclarado	(1 o 2 unidad)	30	0,751	11.2	○
	Aclarado (45 °C)					

Nota:

EN60436 Este programa es el ciclo de prueba. La información para la prueba de compatibilidad cumple con la norma EN 60436.

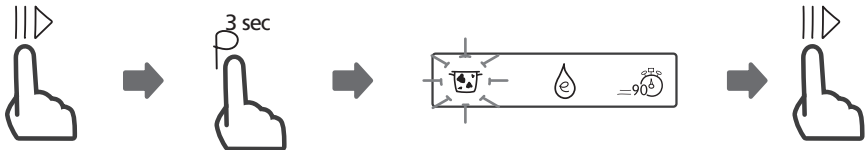
Puesta en marcha del ciclo de lavado

1. Saque las cestas superior e inferior, coloque los platos y vuelva a introducirlas. Se recomienda cargar primero la cesta inferior y después la superior.
2. Vierta el detergente.
3. Inserte la clavija en la toma. Para obtener información sobre la alimentación, vaya a la última página "Ficha del producto". Asegúrese de que el suministro de agua está abierto y a máxima presión.
4. Cierre la puerta, pulse el botón de Encendido para poner en marcha la máquina.
5. Elija un programa, la luz de respuesta se encenderá. Pulse el botón Encendido/Pausa y el lavavajillas comenzará su ciclo.

Cambiar el programa a mitad del ciclo

Un ciclo de lavado solo se puede cambiar si lleva funcionando poco tiempo, de otro modo el detergente podría haberse liberado y el lavavajillas podría haber comenzado a drenar agua. Si fuera este el caso, el lavavajillas deberá reiniciarse y el dispensador de detergente volver a rellenarse. Para reiniciar el lavavajillas, siga las instrucciones a continuación:

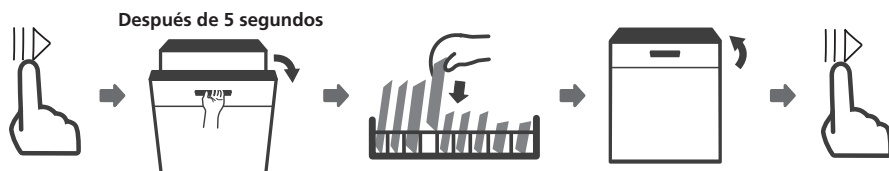
1. Pulse el botón de Encendido/Pausa para hacer una pausa en el lavado.
2. Pulse el botón del Programa durante más de 3 segundos y el programa se cancelará.
3. Pulse el botón del Programa para seleccionar el programa deseado.
4. Pulse el botón de Encendido/Pausa y, después de 10 segundos, el lavavajillas se pondrá en marcha de nuevo.



• Ha olvidado meter algo?

Si olvida algún plato, puede añadirlo en cualquier momento antes de que se abra el dispensador de detergente. Si este fuera el caso, siga las instrucciones a continuación:

1. Pulse el botón de Encendido/Pausa para hacer una pausa en el lavado.
2. Espere 5 segundos para abrir la puerta.
3. Meta los platos que haya olvidado.
4. Cierre la puerta.
5. Pulse el botón de Encendido/Pausa y, después de 10 segundos, el lavavajillas se pondrá en marcha de nuevo.



⚠ ADVERTENCIA



Es peligroso abrir la puerta a mitad del ciclo, ya que el vapor podría quemarle.

CÓDIGOS DE ERROR

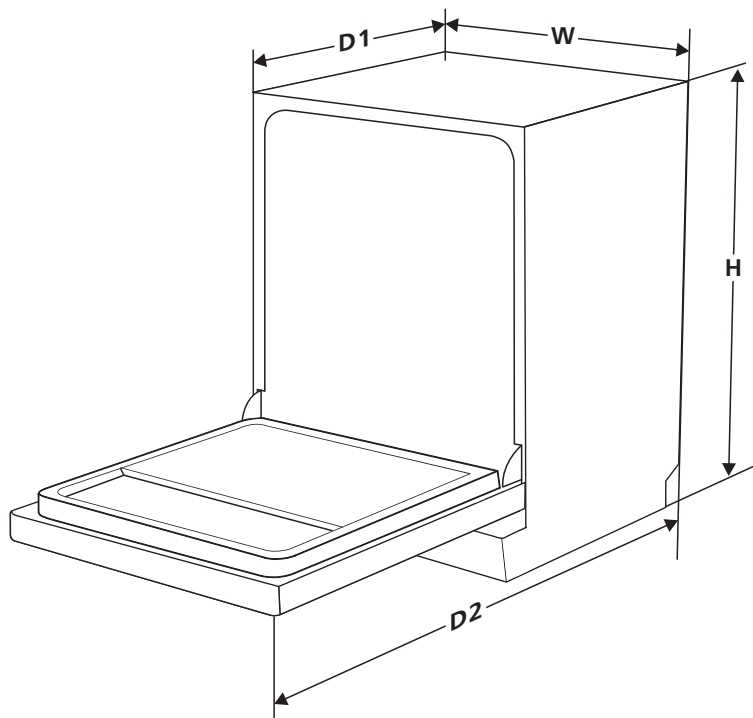
Si el lavavajillas no funciona bien, el lavavajillas mostrará códigos de error para identificarlos:

Códigos	Significado	Posibles causas
La luz de Rápido parpadea	Tiempo de entrada más largo.	Los grifos no están abiertos, o el consumo de agua está restringido o la presión del agua es demasiado baja.
La luz de 90min parapadea	No alcanzar la temperatura requerida.	Mal funcionamiento del elemento calefactor.
La luz ECO parpadea rápidamente	Rebosar.	Algún elemento del lavavajillas gotea.
La luz de Rápido y la de Normal parpadean muy rápido	Fallo de comunicación entre la placa de circuito impreso principal y la placa de circuito impreso de la pantalla	Abra el circuito o interrumpa el cableado para la comunicación

ADVERTENCIA

- Si se produce algún rebose, apague la llave de agua principal antes de llamar al servicio técnico.
- Si hay agua en la bandeja de la base por un rebose o una pequeña fuga, deberá retirarse el agua antes de volver a poner en marcha el lavavajillas.

INFORMACIÓN TÉCNICA



H	845 mm
W	598 mm
D1	600 mm (con la puerta cerrada)
D2	1175 mm (con la puerta abierta 90°)

Ficha del producto

Hoja informativa del lavavajillas doméstico conforme a la Directiva de la UE 1016/2010 y 1059/2010:

Fabricante	EDESA
Tipo / Descripción	EDW-6120 WH
Ajustes de colocación estándar	12
Clase de eficiencia energética ^❶	A++
Consumo energético anual ^❷	258 kWh
Consumo energético del ciclo de lavado estándar	0,908 kWh
Consumo energético apagado	0,45 W
Consumo energético encendido	0,49 W
Consumo de agua anual ^❸	3080 litros
Clase de eficiencia de secado ^❹	A
Ciclo de lavado estándar ^❺	ECO 45 °C
Duración del programa del ciclo de lavado estándar	230 min
Nivel de ruido	52 dB(A) re 1 pW
Montaje	Independiente
Puede ir integrado	Sí
Consumo energético	1760-2100 W
Tensión nominal / frecuencia	220-240V / 50 Hz
Presión de agua (presión del flujo)	0,04 - 1,0 MPa=0,4 - 10 bar

NOTA:

- ❶ A + + + (la eficiencia más alta) a D (la eficiencia más baja)
- ❷ Consumo energético basado en 280 ciclos de lavado estándar usando agua fría y el consumo de los modos de potencia bajos. El consumo energético real dependerá de cómo se utilice el aparato.
- ❸ Consumo de agua basado en 280 ciclos de lavado estándar. El consumo de agua real dependerá de cómo se utilice el aparato.
- ❹ A (la eficiencia más alta) a G (la eficiencia más baja)
- ❺ Este programa es adecuado para lavar una vajilla con una suciedad normal y es el programa más eficiente en términos de su combinación de consumo energético y de agua para ese tipo de artículos.

Ficha de producto (EN60436)

Proveedor: EDESA

Dirección de Proveedor: c/ Anabel Segura 11, 3º. 28108. Alcobendas. Madrid. España

Modelo: EDW-6120 WH

Ficha de producto:

Parametro	Valor	Parameter	Value	
Capacidad nominal (a) (ps)	12	dimensiones en cm	alto	84,5
			ancho	59,8
			profundo	60,0
EEl (ª)	55,9	clase de eficiencia energética	E (º)	
Índice de rendimiento de limpieza (a)	1,13	Índice de rendimiento de secado (a)	1,07	
Consumo de energía en kWh [por ciclo], basado en el programa eco usando llenado de agua fría. El consumo de energía real dependerá de cómo se utilice el aparato.	0,923	Consumo de agua en litros [por ciclo], basado en el programa eco. El consumo real de agua dependerá de cómo se utilice el aparato y de la dureza del agua.	11,0	
Duración del programa (a) (h: min)	3:50	tipo	Libre instalación	
Emissiones de ruido acústico aéreo (a) (dB (A) re 1 pW)	52	Airborne acoustical noise emission class (ª)	D (º)	
modo apagado (w)	0,49	Modo de espera (W)	N/A	
Inicio diferido (W) (si corresponde)	1,00	networked standby (W) (si corresponde)	N/A	

Duración mínima de la garantía ofrecida por el proveedor (b):

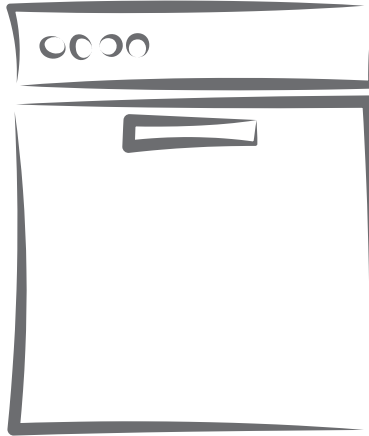
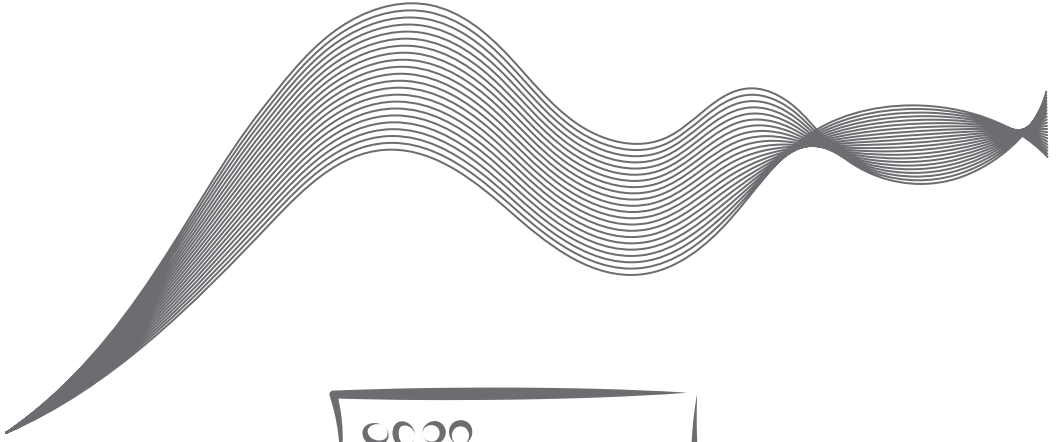
Informacion adicional

Enlace web al sitio web del proveedor, donde se encuentra la información del punto 6 del anexo II del Reglamento (UE) 2019/2022 de la Comisión (1)(b):

- (a) para el programa eco.
(b) los cambios en estos elementos no se considerarán relevantes a los efectos del párrafo 4 del Artículo 4 del Reglamento (UE) 2017/1369.
(c) si la base de datos de productos genera automáticamente el contenido definitivo de esta celda, el proveedor no deberá ingresar estos datos.
-

(1)Reglamento (UE) 2019/2022 de la Comisión, de 1 de octubre de 2019, por el que se establecen requisitos de diseño ecológico para lavavajillas domésticos de conformidad con la Directiva 2009/125 / CE del Parlamento Europeo y del Consejo que modifica el Reglamento (CE) No. 1275/2008 de la Comisión y deroga la Comisión. Reglamento (UE) No. 1016/2010 (véase la página 267 de este Diario Oficial).

edesa



Adhesivo
PLACA IDENTIFICATIVA

CNA group

Oficinas: c/ Anabel Segura 11, 3º. 28108. Alcobendas. Madrid. España

Fábrica: c/ del Ter 2, Apdo. 9. 08570. Torelló. Barcelona. España

www.edesa.es