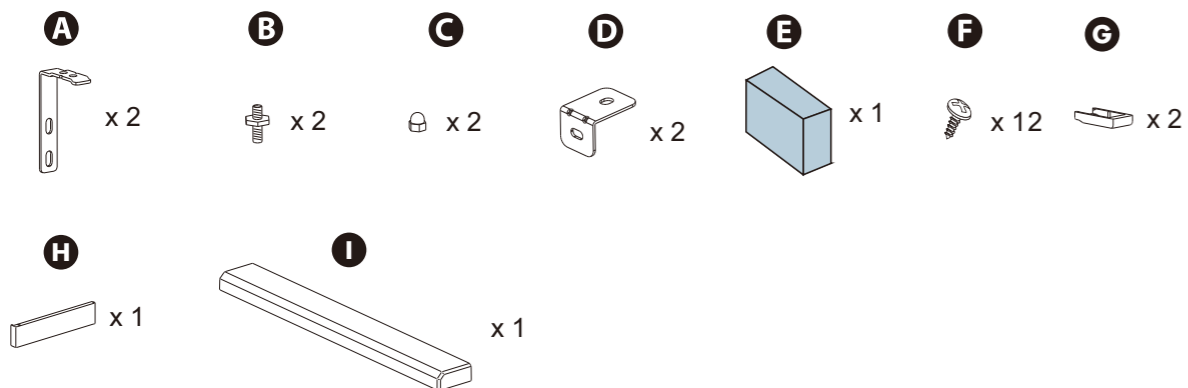
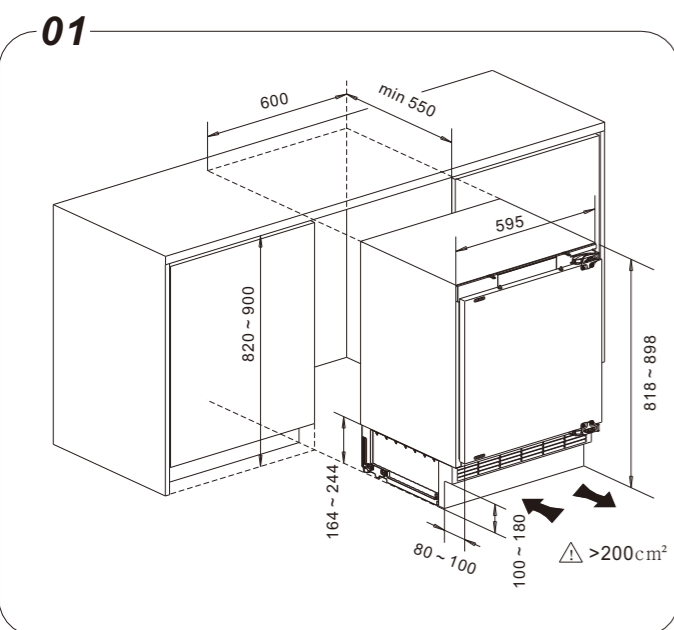
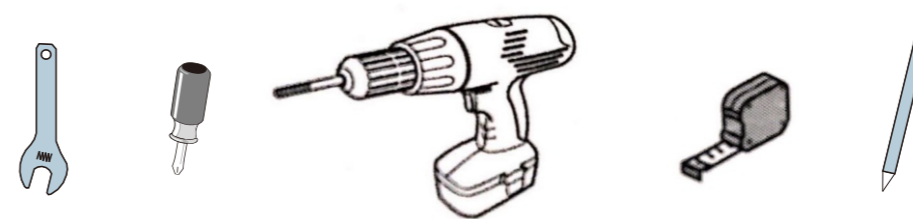


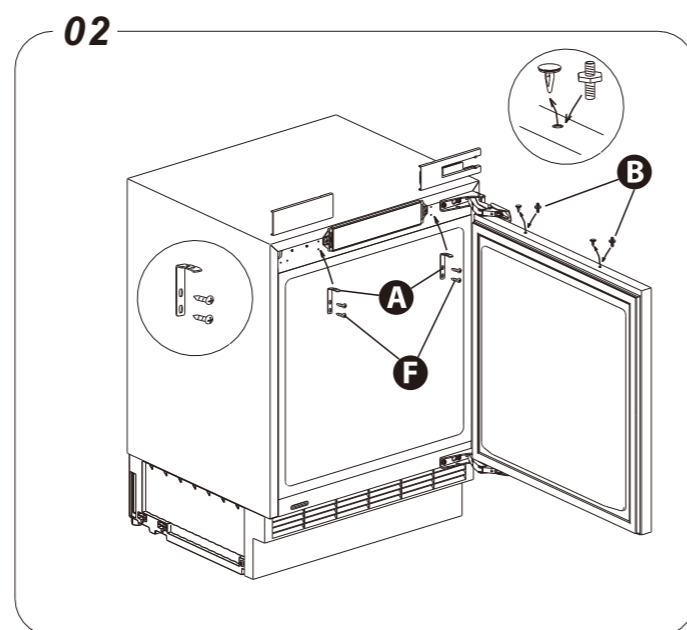
PARTS LIST (Accessories package)



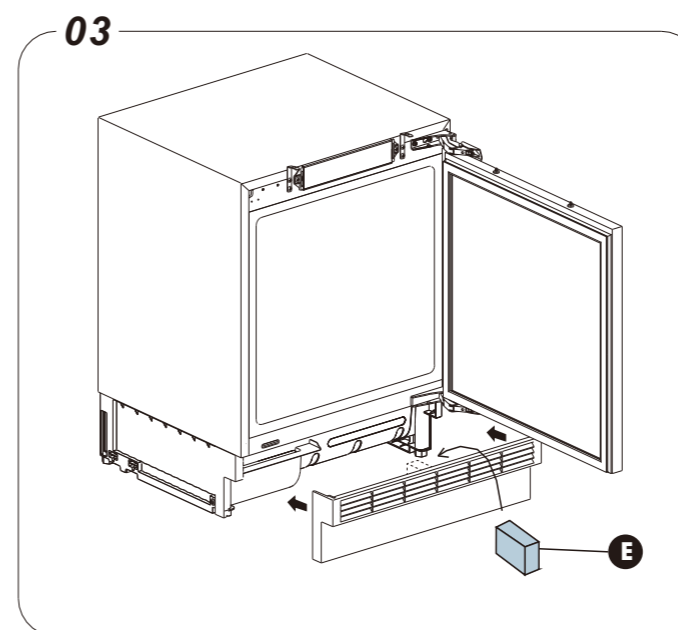
• Tools you may need:



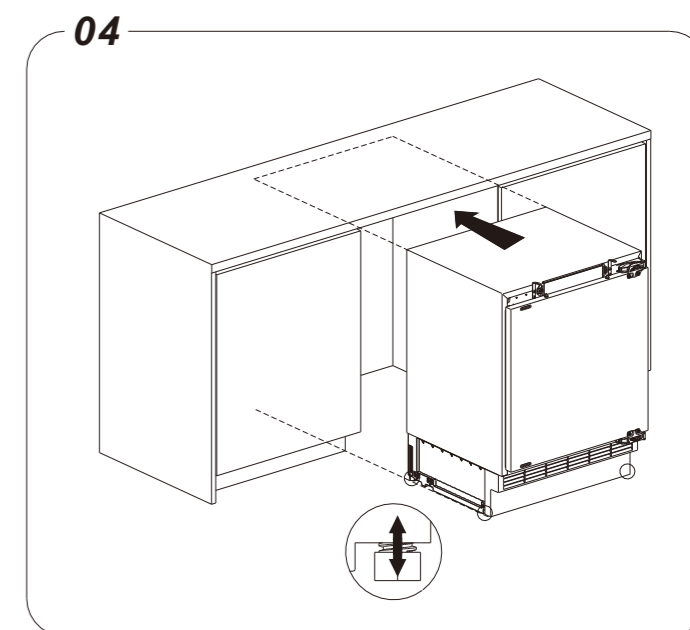
• Dimensions of mounting slot.



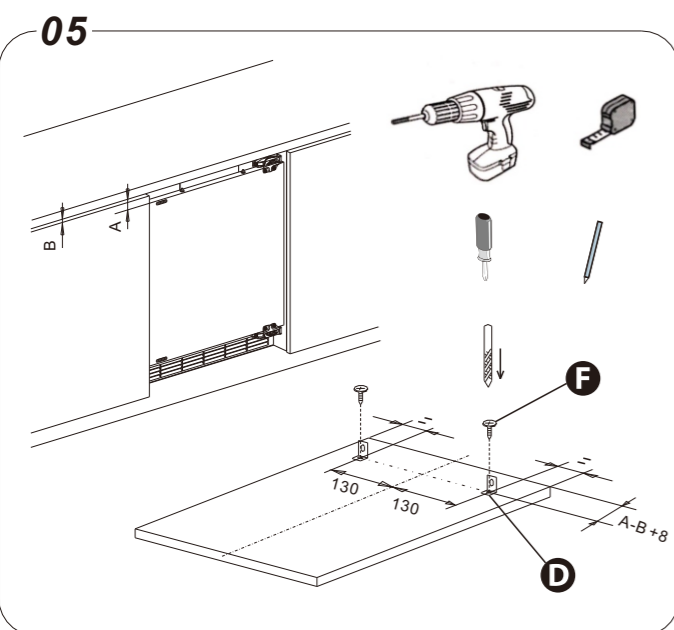
• Remove the covers and install **part A** and **B**.



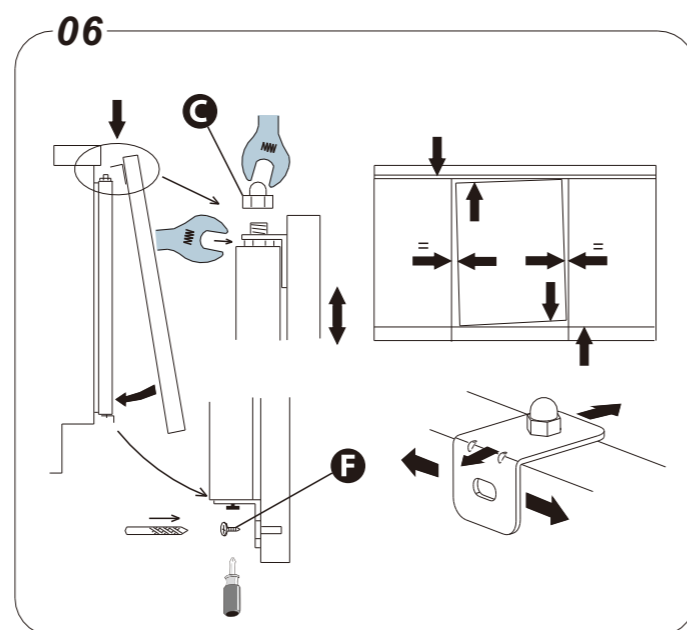
• Install **part E** and replace the bottom cover.



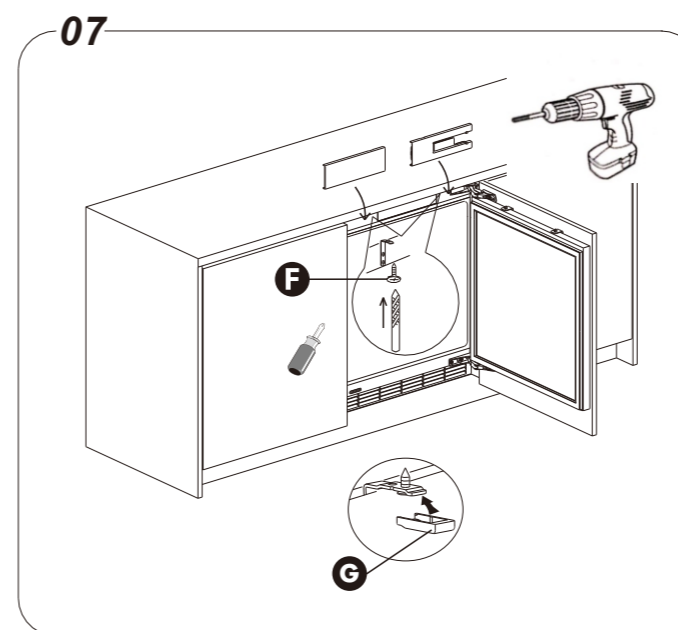
• Height regulation and put the appliance into the worktop.



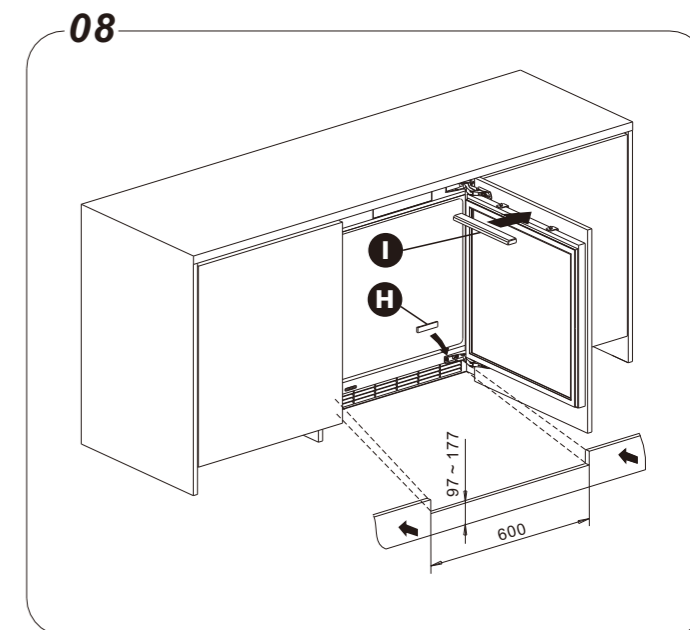
• Mounting the kitchen cabinet door (install **part D**).



• Mounting and adjust the kitchen cabinet door (install **part C**).



• Fastening the appliance under the worktop and replace the covers (install **part G**).



• Replace the covers (install **part H** and **I**) and recover the kitchen worktop bottom cover.