

edesa

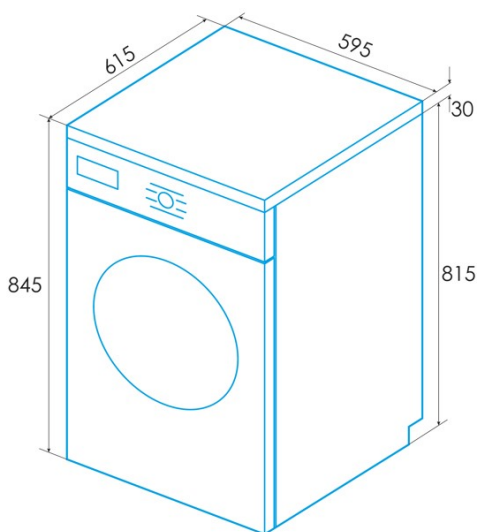
TUMBLE DRYERS



ESC-8161 WH

Cod. 936270487

EAN 8422248344470



GENERAL INFORMATION

EAN/UPC	8422248344470
Subfamily	Tumble Dryer

Product sheet

Assigned capacity [kg]	8
Dryer type	Condenser
Energy efficiency class	B
Energy consumption [kWh/year]	561
Energy consumption of the normal cotton programme with full load [kWh]	4,74
Energy consumption of the normal cotton programme with partial load [kWh]	2,56
Energy consumption in off mode [W]	0,28
Energy consumption in sleep mode (standby) [W]	0,8
Duration of sleep mode (standby) [mins.]	10
Time of the normal cotton programme with full load [mins.]	140
Time of the normal cotton programme with partial load [mins.]	90
Condensation efficiency class	B
Weighted condensation efficiency for the normal cotton programme with full load and partial load [%]	80,1
Average condensation efficiency for the normal cotton programme with full load [%]	80,1
Average condensation efficiency for the normal cotton programme with partial load [%]	80,1
Airborne acoustic noise emissions during spinning [dB(A)]	69
Installation type	Free Standing

Control

Control type	Knob + Soft Touch Buttons
Display	No
Start delay	3-6-9h
Start/Pause	√
Child lock indicator	√
Remaining time indicator	-

Programming

Number of programmes	16
Programme 1 - Name	Cotton Iron
Programme 2 - Name	Cotton Standard
Programme 3 - Name	Cotton Extra
Programme 4 - Name	Synthetics Extra
Programme 5 - Name	Synthetics Standard
Programme 6 - Name	Baby Care
Programme 7 - Name	Mixed
Programme 8 - Name	Automatic
Programme 9 - Name	Refresh
Programme 10 - Name	Cool
Programme 11 - Name	Jeans
Programme 12 - Name	Delicate
Programme 13 - Name	Rapid 45'
Programme 14 - Name	Warm 60'
Programme 15 - Name	Warm 30'
Programme 16 - Name	Sports

General features

Child lock	√
------------	---

Installation

Width (mm)	595
Min. height (mm)	845
Max. height (mm)	845
Depth (mm)	615

Power connection

Nominal voltage (V)	220-240
Nominal frequency (Hz)	50
Nominal input power (W)	2700

Power cord length (m)	1.6
Plug type	Type F
