

edesa

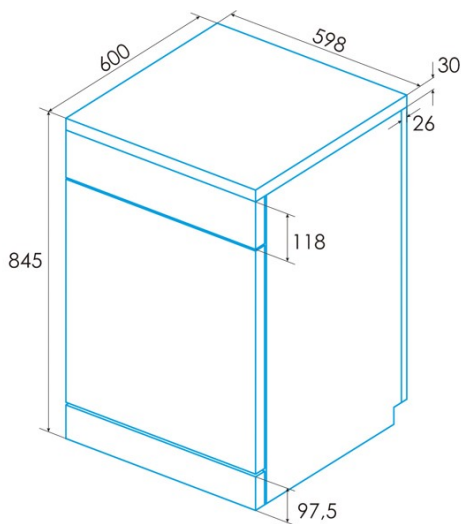
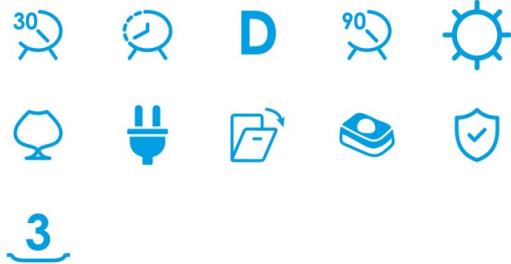
FREE-STANDING DISHWASHERS



EDW-6231 X

Cod. 926270323

EAN 8422248351294



GENERAL INFORMATION

EAN/UPC	8422248351294
Subfamily	Freestanding

Power connection

Nominal voltage (V)	220-240
Nominal frequency (Hz)	50
Nominal input power (W)	2100
Power cord length (m)	1,5
Plug type	Type F

Product sheet according to EU Regulation 2019/2022 - 2019/2017

Default placement settings	14
Energy efficiency class	D
Energy consumption in off mode [W]	0,49
Noise level [dBA]	47
Installation type	Free Standing

Control panel

Control type	Soft Touch Buttons
Display	LED
Salt control indicator	√
Rinse aid control indicator	√
Start delay	1-24h
Remaining time indicator	√
Start/Pause	√

Programmes and functions

Number of programmes	7
Programme 1 - Name	Intensive
Programme 1 - Temperature (°C)	65
Programme 1 - Duration (mins.)	210
Programme 2 - Name	Normal
Programme 2 - Temperature (°C)	55
Programme 2 - Duration (mins.)	180
Programme 3 - Name	Eco
Programme 3 - Temperature (°C)	50
Programme 3 - Duration (mins.)	198
Programme 4 - Name	Express 90'
Programme 4 - Temperature (°C)	55
Programme 4 - Duration (mins.)	90
Programme 5 - Name	Glass
Programme 5 - Temperature (°C)	50
Programme 5 - Duration (mins.)	125
Programme 6 - Name	Quick 30'
Programme 6 - Temperature (°C)	40
Programme 6 - Duration (mins.)	30
Programme 7 - Name	Soak
Programme 7 - Duration (mins.)	15

Power and water connection

Nominal voltage (V)	220-240
Nominal frequency (Hz)	50
Nominal input power (W)	2100
Power cord length (m)	1,5
Plug type	Type F
Inlet water hose length (m)	1,5
Drainage water hose length (m)	1,4

Installation

Width (mm)	598
Min. height (mm)	845
Depth (mm)	600
Adjustable height	√
Built-in width (mm)	600
Inner height (mm)	820
Built-in depth (mm)	580
Sliding door	-

