

# edesa

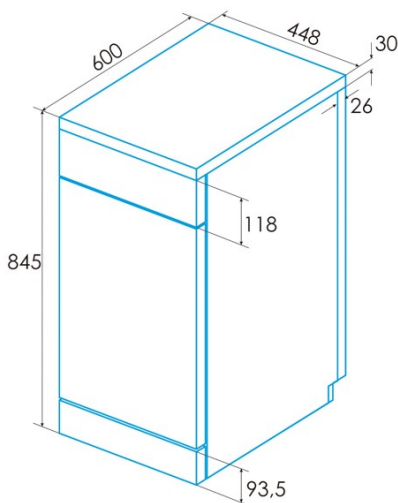
## FREE-STANDING DISHWASHERS



### EDW-4610 X

Cod. 926270304

EAN 8422248096720



#### GENERAL INFORMATION

EAN/UPC	8422248096720
Subfamily	Freestanding

#### Power connection

Nominal voltage (V)	220-240
Nominal frequency (Hz)	50
Nominal input power (W)	2100
Electric shock protection	Class I
Power cord length (m)	1,5
Plug type	Type F

#### Product sheet according to EU Regulation 2019/2022 - 2019/2017

Default placement settings	10
Energy efficiency class	E
Energy consumption in off mode [W]	0,49
Noise level [dBA]	49
Installation type	Free Standing

#### Control panel

Control type	Soft Touch Buttons
Display	No
Salt control indicator	√
Rinse aid control indicator	-
Start delay	3-6-9h
Remaining time indicator	√
Start/Pause	√

#### Programmes and functions

Number of programmes	6
Programme 1 - Name	Intensive
Programme 1 - Temperature (°C)	65
Programme 1 - Duration (mins.)	205
Programme 2 - Name	Normal
Programme 2 - Temperature (°C)	55
Programme 2 - Duration (mins.)	175
Programme 3 - Name	Eco
Programme 3 - Temperature (°C)	45
Programme 3 - Duration (mins.)	235
Programme 4 - Name	Express 90'
Programme 4 - Temperature (°C)	60
Programme 4 - Duration (mins.)	90
Programme 5 - Name	Glass
Programme 5 - Temperature (°C)	50
Programme 5 - Duration (mins.)	120
Programme 6 - Name	Quick 30'
Programme 6 - Temperature (°C)	50
Programme 6 - Duration (mins.)	30
Programme 7 - Name	N/A
Programme 8 - Name	N/A
Programme 9 - Name	N/A
Programme 10 - Name	N/A
Programme 11 - Name	N/A
Programme 12 - Name	N/A

#### Power and water connection

Nominal voltage (V)	220-240
Nominal frequency (Hz)	50
Nominal input power (W)	2100
Electric shock protection	Class I
Power cord length (m)	1,5
Plug type	Type F
Inlet water hose length (m)	1500
Drainage water hose length (m)	1400

#### Installation

Width (mm)	448
Min. height (mm)	845
Max. height (mm)	845
Depth (mm)	600

Adjustable height	√
Sliding door	-