

edesa

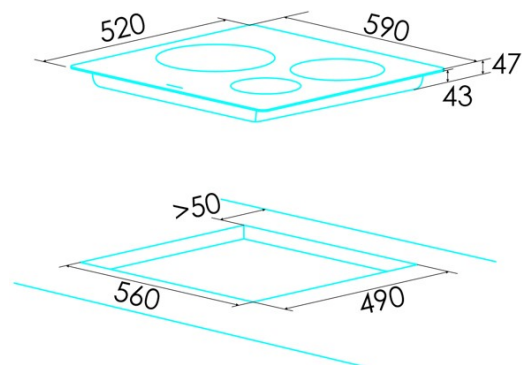
CERAMIC HOBS



VITROCERAMICA, EVT-6330 B

Cod. 922272092

EAN 8422248373227



GENERAL INFORMATION

EAN/UPC	8422248373227
Subfamily	Radiant

Product sheet

Number of cooking zones	3
Zone 1: Technology	Radiant
Zone 1: Type of zone	Simple
Zone 1: Position	Rear Right
Zone 1: Zone diameter (mm)	15
Zone 1: Power (kW)	12
Zone 2: Technology	Radiant
Zone 2: Type of zone	Double
Zone 2: Position	Front Right
Zone 2: Zone diameter (mm)	18
Zone 2: Power (kW)	18
Zone 2B: Zone diameter (mm)	12
Zone 2B: Power (kW)	11
Zone 3: Technology	Radiant
Zone 3: Type of zone	Double
Zone 3: Position	Left
Zone 3: Zone diameter (mm)	30
Zone 3: Power (kW)	3
Zone 3B: Zone diameter (mm)	19
Zone 3B: Power (kW)	2

Dimensions

Width (mm)	590
Height (mm)	58
Depth (mm)	520
Built-in width (mm)	560
Built-in depth (mm)	490
Easy installation system	Quick Fix

Finishing

Material	Glass
Bevel	No
Frame	No
Cooking supports	N/A

Control

Control type	Mono Touch
Control position	Front Left
Independent zone control	-
Hidden control	-
Power levels	9
Knob type	N/A
Cooking time programming	√
Countdown alarm	√
Power management	-
Available power limits (kW)	No
Connectivity	No
Autoignition	N/A

Safety

Safety lock	√
Child lock	Yes (Combination)
Residual heat indicator	√
Automatic cookware detection	-
Smart cookware detection	-
Automatic safety shutdown	√
Liquid spill detection	√
Safety valve	-

Electrical connection

Nominal voltage (V)	220-240
Nominal frequency (Hz)	50/60
Nominal input power (W)	62
Multiphase connection option	2 or 3 phases
Electric shock protection	Class I

Power cord length (m)	11
Plug type	No plug