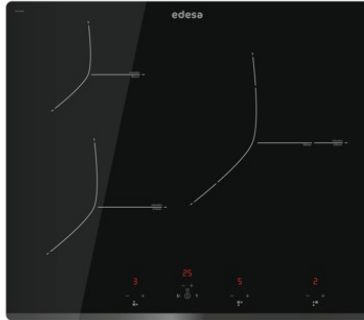


edesa

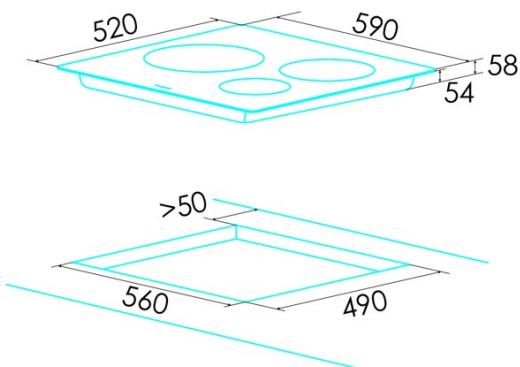
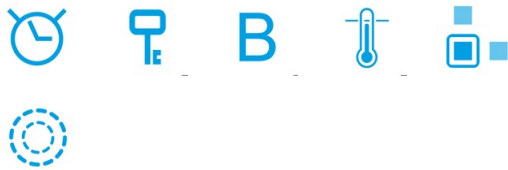
INDUCTION HOBS



EIT-6329 B /C 220-240V 50-60Hz

Cod. **922272087**

EAN **8422248355889**



GENERAL INFORMATION

EAN/UPC	8422248355889
Subfamily	Induction

Product sheet

Number of cooking zones	3
Zone 1: Technology	Induction
Zone 1: Type of zone	Double
Zone 1: Position	Right
Zone 1: Zone diameter (mm)	28
Zone 1: Power (kW)	2,3
Zone 1: Booster (kW)	3
Zone 1B: Zone diameter (mm)	18
Zone 2: Technology	Induction
Zone 2: Type of zone	Simple
Zone 2: Position	Rear Left
Zone 2: Zone diameter (mm)	18
Zone 2: Power (kW)	12
Zone 2: Booster (kW)	15
Zone 3: Technology	Induction
Zone 3: Type of zone	Simple
Zone 3: Position	Front Left
Zone 3: Zone diameter (mm)	22
Zone 3: Power (kW)	23
Zone 3: Booster (kW)	26

Dimensions

Width (mm)	590
Height (mm)	55
Depth (mm)	520
Built-in width (mm)	560
Built-in depth (mm)	490
Easy installation system	Clamping System

Finishing

Material	Glass
Bevel	No
Cooking supports	N/A

Control

Control type	Touch control
Control position	Front Centre
Independent zone control	√
Hidden control	-
Power levels	9 + Booster
Knob type	N/A
Cooking time programming	√
Countdown alarm	√
Power management	-
Available power limits (kW)	No
Connectivity	No
Autoignition	N/A

Safety

Safety lock	√
Child lock	Yes (Key)
Residual heat indicator	√
Automatic cookware detection	√
Smart cookware detection	-
Automatic safety shutdown	√
Liquid spill detection	√
Safety valve	-

Electrical connection

Nominal voltage (V)	220-240
Nominal frequency (Hz)	50/60
Nominal input power (W)	7200
Multiphase connection option	2 or 3 phases
Electric shock protection	Class I
Power cord length (m)	11

