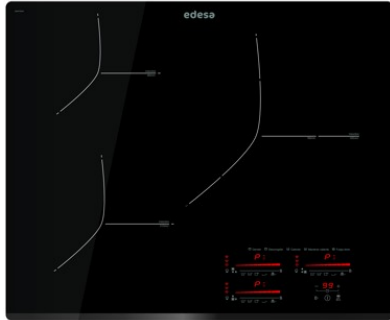


# edesa

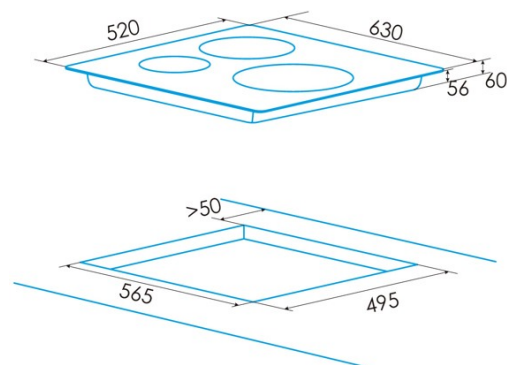
INDUCTION HOBS



## EIMS - 6332 B

Cod. 922272040

EAN 8422248108546



### GENERAL INFORMATION

EAN/UPC	8422248108546
Subfamily	Induction

### Product sheet

Number of cooking zones	3
Zone 1: Technology	Induction
Zone 1: Type of zone	Double
Zone 1: Position	Rear Right
Zone 1: Zone diameter (mm)	32
Zone 1: Power (kW)	3
Zone 1: Booster (kW)	36
Zone 1: Consumption (Wh / kg)	1754
Zone 1B: Zone diameter (mm)	18
Zone 1B: Power (kW)	15
Zone 1B: Booster (kW)	18
Zone 1B: Consumption (Wh / kg)	1754
Zone 2: Technology	Induction
Zone 2: Type of zone	Simple
Zone 2: Position	Front Left
Zone 2: Zone diameter (mm)	21
Zone 2: Power (kW)	23
Zone 2: Booster (kW)	26
Zone 2: Consumption (Wh / kg)	1915
Zone 3: Technology	Induction
Zone 3: Type of zone	Simple
Zone 3: Position	Rear Left
Zone 3: Zone diameter (mm)	18
Zone 3: Power (kW)	12
Zone 3: Booster (kW)	15
Zone 3: Consumption (Wh / kg)	1948

### Dimensions

Width (mm)	630
Height (mm)	60
Depth (mm)	520
Built-in width (mm)	565
Built-in depth (mm)	495
Easy installation system	Quick Fix

### Finishing

Material	Glass
Cooking supports	N/A

### Control

Control type	Slider Touch Control
Control position	Front Right
Independent zone control	√
Power levels	9 + Booster
Knob type	N/A
Cooking time programming	√
Countdown alarm	√
Power management	√
Available power limits (kW)	No
Connectivity	No
Autoignition	No

### Safety

Safety lock	√
Child lock	No
Residual heat indicator	√
Automatic cookware detection	√
Automatic safety shutdown	√
Liquid spill detection	√

### Electrical connection

Nominal voltage (V)	220-240
Nominal frequency (Hz)	50/60
Nominal input power (W)	71

