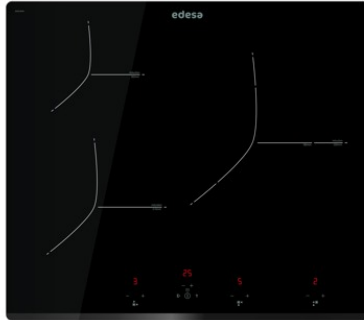


edesa

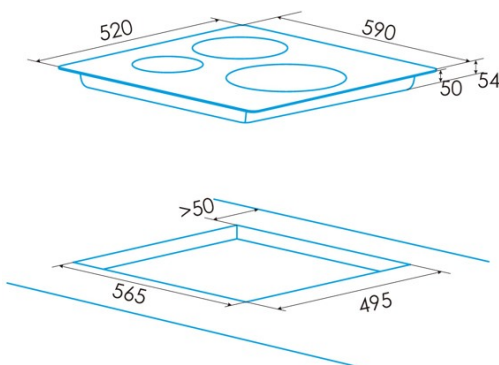
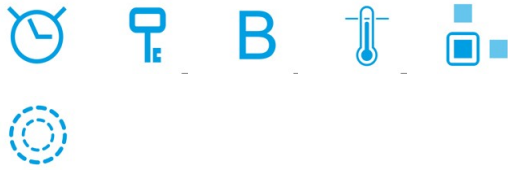
INDUCTION HOBS



EIT-6329 B

Cod. **922272039**

EAN **8422248108416**



GENERAL INFORMATION

EAN/UPC	8422248108416
Subfamily	Induction

Product sheet

Number of cooking zones	3
Zone 1: Technology	Induction
Zone 1: Type of zone	Simple
Zone 1: Position	Rear Right
Zone 1: Zone diameter (mm)	28
Zone 1: Power (kW)	2,3
Zone 1: Booster (kW)	3
Zone 1: Consumption (Wh / kg)	180,8
Zone 1B: Zone diameter (mm)	N/A
Zone 1C: Zone diameter (mm)	N/A
Zone 2: Technology	Induction
Zone 2: Type of zone	Simple
Zone 2: Position	Front Left
Zone 2: Zone diameter (mm)	21
Zone 2: Power (kW)	2,3
Zone 2: Booster (kW)	2,6
Zone 2: Consumption (Wh / kg)	184,1
Zone 2B: Zone diameter (mm)	N/A
Zone 2C: Zone diameter (mm)	N/A
Zone 3: Technology	Induction
Zone 3: Type of zone	Simple
Zone 3: Position	Rear Left
Zone 3: Zone diameter (mm)	16
Zone 3: Power (kW)	1,2
Zone 3: Booster (kW)	1,5
Zone 3: Consumption (Wh / kg)	181,7
Zone 3B: Zone diameter (mm)	N/A
Zone 3C: Zone diameter (mm)	N/A
Zone 4: Technology	N/A
Zone 4: Zone diameter (mm)	N/A
Zone 4B: Zone diameter (mm)	N/A
Zone 4C: Zone diameter (mm)	N/A
Zone 5: Technology	N/A
Zone 5: Zone diameter (mm)	N/A
Zone 5B: Zone diameter (mm)	N/A
Zone 5C: Zone diameter (mm)	N/A
Zone 6: Technology	N/A
Zone 6: Zone diameter (mm)	N/A
Zone 6B: Zone diameter (mm)	N/A
Zone 6C: Zone diameter (mm)	N/A

Dimensions

Width (mm)	590
Height (mm)	54
Depth (mm)	520
Built-in width (mm)	595
Built-in depth (mm)	495
Easy installation system	Quick Fix

Finishing

Material	Glass
Bevel	Front
Frame	No
Cooking supports	N/A

Control

Control type	Slider Touch Control
Control position	Front Centre
Independent zone control	√
Hidden control	-
Power levels	9 + Booster
Knob type	N/A
Cooking time programming	√
Countdown alarm	√
Power management	-
Available power limits (kW)	No

Connectivity	No
Autoignition	N/A

Safety

Safety lock	√
Child lock	No
Residual heat indicator	√
Automatic cookware detection	√
Smart cookware detection	√
Automatic safety shutdown	√
Liquid spill detection	√
Safety valve	-

Electrical connection

Nominal voltage (V)	220-240
Nominal frequency (Hz)	50/60
Nominal input power (W)	7,1
Multiphase connection option	No
Electric shock protection	Class I
Plug type	No plug