

# edesa

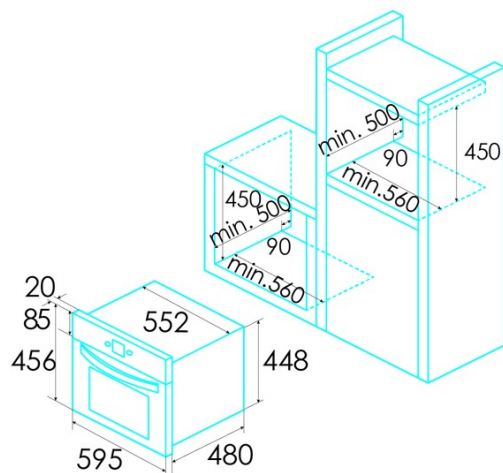
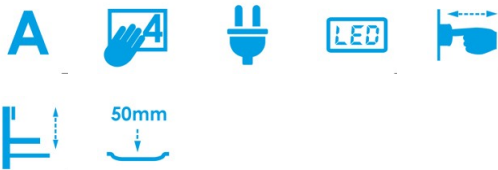
TURBO OVENS



## EOE-4530 BK

Cod. 921270268

EAN 8422248372916



### GENERAL INFORMATION

EAN/UPC	8422248372916
Subfamily	Turbo

### Product sheet

Energy Efficiency Index (EEI)	97,2
Energy efficiency class	A
Energy consumption in conventional mode (kWh/cycle)	0,7
Energy consumption in fan mode (kWh/cycle)	0,71
Heat source	Electricity
Appliance mass [Kg]	33
Number of cavities	1
Cavity volume (L)	40

### Dimensions

Width (mm)	595
Height (mm)	456
Depth (mm)	531
Built-in width (mm)	260
Built-in height (mm)	380
Built-in depth (mm)	400

### Controls

Control type	Mechanical
Display	WHITE
Number of functions	8
Functions	Bottom_heating_with_fan;Grill and fan;Light;Top and bottom heating with fan;Top heating;3D cooking;Top and bottom heating;Defrosting
Timer	Electronic
On/off indicator	√
Minimum temperature [°C]	50
Maximum temperature [°C]	250

### Characteristics

Enamel	Easy cleaning Nclean enamel
Light type	LED
Number of light bulbs	2,38
Bulb power [W]	1
Number of door glasses	3
Manual door lock	√
Side racks	√
Levels	4
Telescopic guides	1
Convection fan	√

### Safety

Cooling fan	√
Overheating protection	√
Automatic safety shutdown	√

### Electrical connection

Nominal voltage (V)	220-240
Nominal frequency (Hz)	50/60
Nominal input power (W)	2000

### Accessories

Deep tray	√
Grill	√
Telescopic guides	√
Pizza stone	√

