

edesa

STATIC OVENS



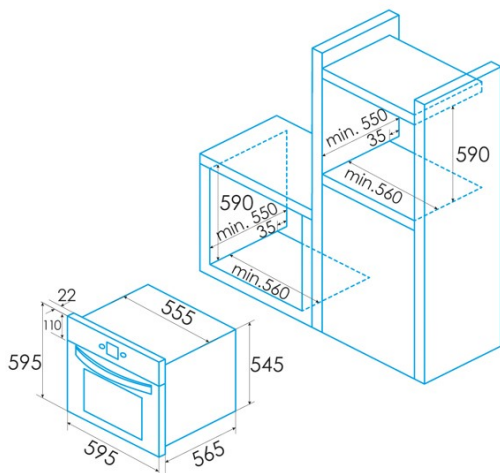
EOE-5010 X

Cod. 921270260

EAN 8422248111133



A



GENERAL INFORMATION

EAN/UPC	8422248111133
Subfamily	Static

Product sheet

Number of cavities	1
Cavity volume (L)	62

Controls

Control type	Mechanical
Display	No
Number of functions	4
Functions	Top_and_bottom_heating;Top heating;Grill;Bottom heating
Timer	No
On/off indicator	√
Thermostat indicator	√
Thermal probe	-

Characteristics

Cleaning	Aquasmart
Removable inner glass	√
Number of door glasses	2
Soft close	-
Cavity type	Embossed
Side racks	-
Telescopic guides	No
Convection fan	-

Accessories

Flat tray	√
Deep tray	-
Steam tray	-
Grill	√
Inner grill	-
Telescopic guides	-
Tray handle	-
Removable tank	-
Pizza stone	-
Roast kit	-