

edesa

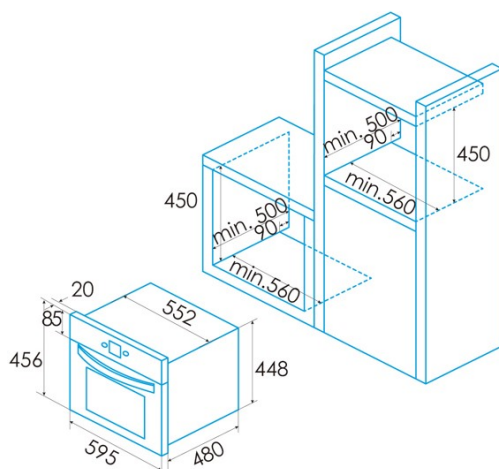
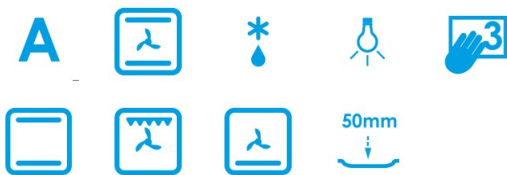
COMPACT OVENS



EOE-4520 X

Cod. 921270217

EAN 8435436108891



GENERAL INFORMATION

EAN/UPC	8435436108891
Subfamily	Compact

Product sheet

Energy Efficiency Index (EEI)	94
Energy efficiency class	A
Energy consumption in conventional mode (kWh/cycle)	0,7
Energy consumption in fan mode (kWh/cycle)	0,71
Heat source	Electricity
Appliance mass [Kg]	29
Number of cavities	1
Cavity volume (L)	40

Dimensions

Width (mm)	595
Height (mm)	456
Depth (mm)	502
Built-in width (mm)	560
Built-in height (mm)	450
Built-in depth (mm)	500

Controls

Control type	Mechanical
Display	No
Number of functions	6
Functions	Light;Top and bottom heating;Defrosting;Top and bottom heating with fan;Bottom heating with fan;Double_Grill_with_fan
Timer	Mechanical
On/off indicator	√
Thermostat indicator	√
Minimum temperature [°C]	50
Maximum temperature [°C]	250
Thermal probe	-

Characteristics

Enamel	Black
Drop down grill	-
Removable inner glass	√
Number of light bulbs	25
Bulb power [W]	1
Number of door glasses	3
Manual door lock	-
Soft close	-
Cavity type	Embossed
Side racks	-
Levels	3
Telescopic guides	No
Convection fan	√

Safety

Cooling fan	√
Overheating protection	√
Automatic safety shutdown	√
Pyrolysis door lock	-
Pyrolysis lock indicator	-

Electrical connection

Power of the upper heating element [W]	900
Lower power of the heating element [W]	1300
Nominal voltage (V)	220-240
Nominal frequency (Hz)	50/60
Nominal input power (W)	2380
Electric shock protection	Class I
Power cord length (m)	0,9
Plug type	No plug

Accessories

Flat tray	-
Deep tray	√
Steam tray	-
Grill	√
Inner grill	-
Telescopic guides	-
Tray handle	-
Removable tank	-
Pizza stone	-
Roast kit	-